

Sentier

A rugged yet clean design that puts light where you need it. The cast aluminum housing and faceplate are built to last while the array of LED options provide the performance you're looking for. Whether you use Sentier traditionally or creatively, the minimalist design will ensure it looks the part.



Safe and Modern with Every Step

Illuminate your path using the Sentier to light the way. A safe and trendy approach to both interior and exterior lighting.

Product Highlights



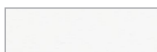
- Buy America Compliant
- Three output levels
- 3000K, 3500K & 4000K color temperatures
- 0-10V and phase (leading or trailing edge) dimming
- Diffused lens available
- Easy to install





The Sentier line

Finishes

-  Fine Textured Silver
-  Fine Textured Black
-  Fine Textured Bronze
-  Fine Textured White

Fully gasketed, cast aluminum, tamper resistant stainless steel hardware



Impact resistant polycarbonate

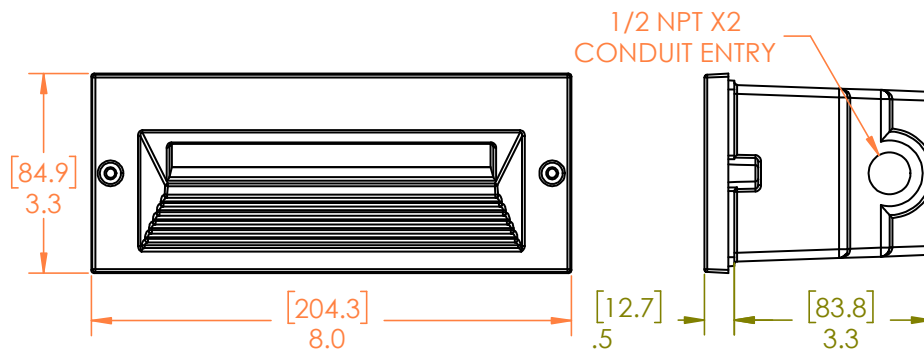
Cast aluminum, 1/2" NPT conduit entry (both sides)



Sentier



Sentier is a traditional LED step light featuring a minimalist design. With three output options, multiple color temperatures and flexible dimming control, the performance can be dialed in to meet every need whether it be residential or commercial. The clean, minimalist design ensures it looks good and can be used in more visible, non-traditional applications. The fully gasketed, cast aluminum faceplate is finished with a high quality polyester powder coating and combines with the impact resistant polycarbonate lens to provide extreme durability. Cast with 1/2" NPT conduit entries (both sides), Sentier is easily installed into a brick sized opening while the tamper resistant, stainless steel hardware ensure the faceplate remains sealed in place.



Certifications

- Wet location rated
- ADA Compliant
- Buy America Compliant

Options

- Diffused lens
- Surge protection

Mounting

- Brick sized opening
- 1/2" NPT conduit entry (both sides)
- Concrete pour insert available for housing

LED Performance

- L70 calculated life: 100,000 + hours
- 3-step Macadam color binning
- 3000K, 3500K & 4000K CCT

LED Driver

- Driver is constant current, Class 2, 120-277 Vac, 50/60Hz
- Operating ambient temperature: -40°C / -40°F to 50°C / 122°F
- 0-10V and phase (leading or trailing edge) dimming

Customization

- Custom color
- Custom CCT
- RGB or filters