

Sentier

Architectural Outdoor



Expertly designed to guide every step with precision and style, Sentier serves as the benchmark for step lighting. Its heavy-duty and durable construction is approved for wet locations, making it versatile and dependable for a multitude of environments from multifamily complexes to bustling retail and commercial spaces. Its refined design ensures low up-light, casting a subtle yet effective glow, ensuring safety and aesthetic cohesiveness. For spaces that demand reliability paired with sophisticated illumination, Sentier is the definitive choice.

LED Engine

Color Temp (CCT): 3000K, 3500K, 4000K
CRI: 80+ (consult factory for 90+)
Life Expectancy: L70 rated at 50,000+ hours
Binning: 3-step Macadam
Output: Min 160 Delivered Lumens
Max 588 Delivered Lumens

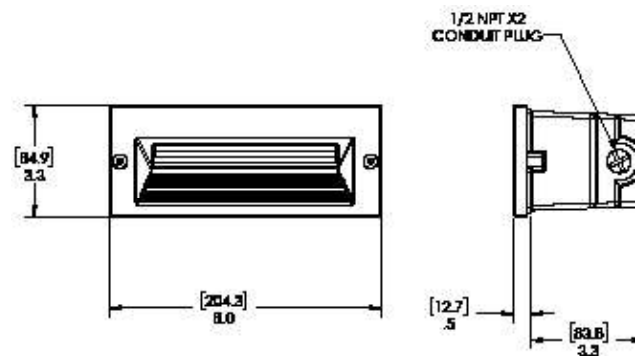
Driver

Type: Constant current, Class 2, 120-277 Vac, 50/60Hz
Dimming: 0-10V and Phase (Leading or Trailing edge)
Efficiency: Min 92%
Operating Temp: -40°C / -40°F to 50°C / 122°F
FCC Noise: Meets FCC Title 47 EMC Part 15 limits

Certifications

Location Listing: Wet Location Rated for Wall Mounting
Other: ADA Compliance: ADA compliant
Buy America Compliant

Dimensions



Construction

Housing: Cast aluminum with half-inch NPT conduit entry (both sides). Face plate: cast aluminum with impact resistant polycarbonate diffuser. Finish: high quality polyester powder coating, various finishes. Hardware: stainless steel. Mounting: recess-mounted into poured concrete or masonry wall.

Catalog String

Fixture Core	STR 1				UNIV 5
Aesthetics & Options					
	6	7	8		

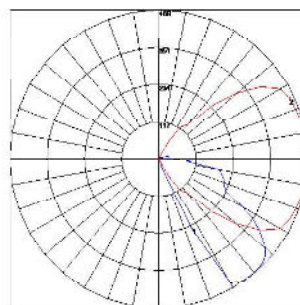
Product Specifications

1 — Product Code	2 — Trim	3 — Wattage	4 — Dimming	5 — Voltage
STR	Not Applicable	L4.0 L7.0 L13.0 (ZE only)	ZE - 0-10V Dimming TE - Leading & Trailing Edge	UNIV - (120V-277V)

6 — Finish	7 — CCT	8 — Options
FBK - Fine Textured Black FBZ - Fine Textured Bronze FWH - Fine Textured White FSV - Fine Textured Silver	30K - 3000K 35K - 3500K 40K - 4000K	SPD - Surge Protection Device DL - Diffused Lens

Performance

Wattage	Delivered Lumens	Efficacy LM/W	CCT
L4.0	160	40	3000K
L7.0	294	42	
L13.0	588	45	



Polar Graph Details:

IES File Name: STR-L13.0-ZE-UNV-XX-30K.IES

Maximum Candela = 468 Located At Horizontal Angle = 0, Vertical Angle = 35

1 - Vertical Plane Through Horizontal Angles (0 - 180) (Through Max. Cd.)

2 - Horizontal Cone Through Vertical Angle (35) (Through Max. Cd.)

BUG Rating: B0-U2-G1