

SENTIER LED

Architectural Outdoor



PROJECT:	
TYPE:	
PO#:	QTY:
COMMENTS:	

FEATURES

- ADA Compliant
- Cast Aluminum Housing & Front Cap
- Impact resistant Polymeric Lenses
- Installs in Place of one Brick or in Masonry Wall
- Stainless Steel Hardware
- Conduit Entry both sides (1/2 NPT), Accepts 1/2 Liquid Tight Conduit
- CSA Listed Wet Location
- IP66 Rated (Pending)



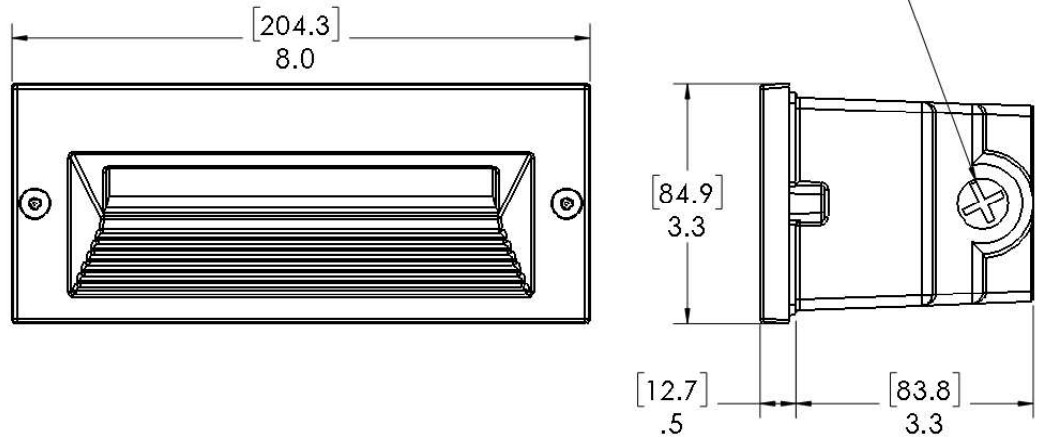
ELECTRICAL FEATURES

- L70 Calculated Life: 100,000+ hours
- 0-10V & Phase Dimming
- Driver is constant current, Class 2, 120-277 Vac, 50/60Hz
- High Efficiency Driver: minimum 85%
- Optional Surge Protection Device



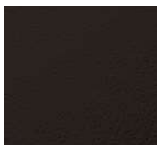
LINE DRAWING

LINE DRAWING NOT TO SCALE



FINISHES

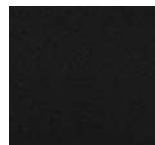
Textured Bronze



Antique Silver



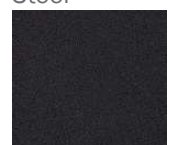
Textured Black



Antique Copper



Swedish Steel



SENTIER LED

Architectural Outdoor



Fixture Core

PROJECT:	
TYPE:	
PO#:	QTY:
COMMENTS:	

PRODUCT CODE	TRIM	SOURCE/WATTAGE	DIM
STR- Sentier	Not Applicable	L4.0 - 4W L7.0 - 7W L13.0 - 13W	ZE- 0-10V Dimming LT- Leading & Trailing Edge
STR		L4.0	ZE

Aesthetics & Options

VOLTAGE	FINISH	COLOR TEMP	OPTIONS
UNV - 120-277V	BZ - Textured Bronze AS - Antique Silver TB - Textured Black TW - Textured White AC - Antique Cooper SW - Swedish Steel	27K - 2700K Color Temp 30K - 3000K Color Temp 35K - 3500K Color Temp 40K - 4000K Color Temp 50K - 5000K Color Temp	SPD - Surge Protector Device DL - Diffused Lens
UNV	BZ	30K	SPD

Actual production units may vary from the values reported here by up to +/-10%

PERFORMANCE (DELIVERED LUMENS)

WATTAGE	OPTICS	3000K	LUMENS/WATT	4000K	LUMENS/WATT	5000K	LUMENS/WATT
13W	CLEAR	1105	85	1131	87	1274	98
	DEFUSED	832	64	910	70	988	76
7W	CLEAR	626	85	662	92	705	98
	DEFUSED	487	64	515	70	548	76
4W	CLEAR	372	99	397	105	422	112
	DEFUSED	292	74	309	80	328	87

ELECTRICAL DATA

WATTAGE	120V	208V	240V	277V	347V	480V
L13.0	0.11	0.06	0.05	0.05	N/A	N/A
L7.0	0.06	0.03	0.03	0.03	N/A	N/A
L4.0	0.03	0.02	0.02	0.01	N/A	N/A

REPLACEMENT PART	PART NO	NOTES
CLEAR LENS	100009	FOR 90 CRI PLEASE CONSULT FACTORY.
DIFFUSED LENS	100142	



TERONLIGHTING.COM
33 DONALD DR, FAIRFIELD, OH 45014
P: 513.858.6004 F: 513.858.6038
E: SALES@TERONLIGHT.COM



We reserve the right to revise the design components of any product due to parts availability or change in UL standards, without assuming any obligation or liability to modify any products previously manufactured, and without notice.

REV 04172023

SEND CUT-SHEET