



INSTALLATION & MAINTENANCE INSTRUCTIONS FOR THE  
**Sentier - Step Light LED**  
OUTDOOR SERIES P.N.: 100128 REV -1

**NOTE:** THIS PRODUCT MUST BE INSTALLED IN ACCORDANCE WITH THE APPLICABLE LOCAL & NATIONAL ELECTRICAL CODES BY A PERSON FAMILIAR WITH THE CONSTRUCTION AND FAMILIAR WITH THE OPERATION OF THE PRODUCT AND HAZARDS INVOLVED.

CONSULT A QUALIFIED ELECTRICIAN TO ENSURE CORRECT BRANCH CIRCUIT CONDUCTOR.

**Tools Required:** T25H Torx Security Bit Screwdriver



Fig.1

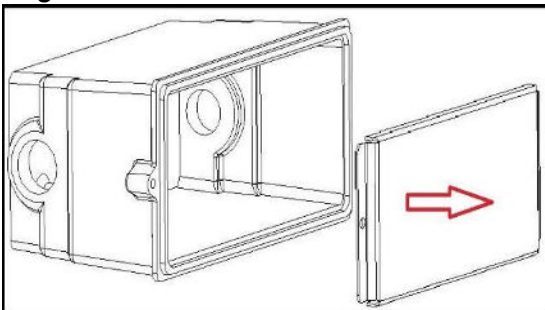


Fig.2

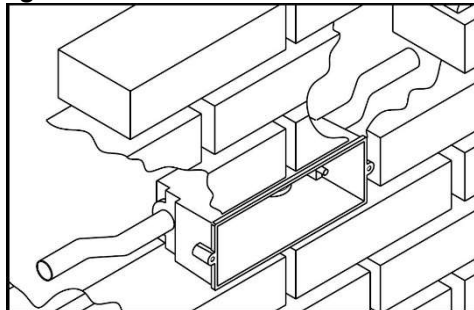


Fig.3

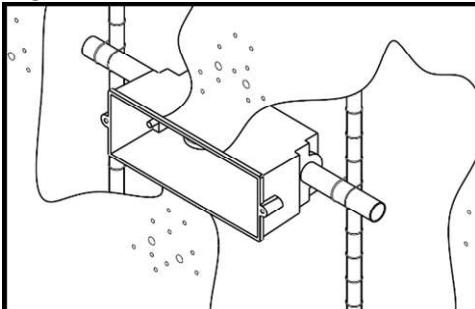


Fig.4

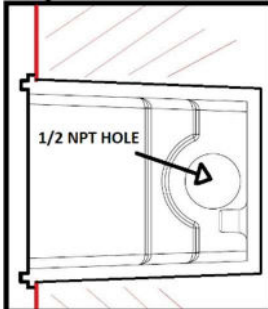
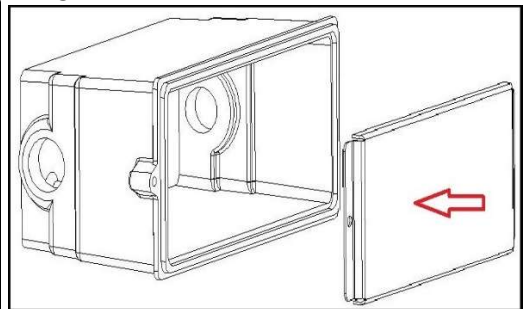


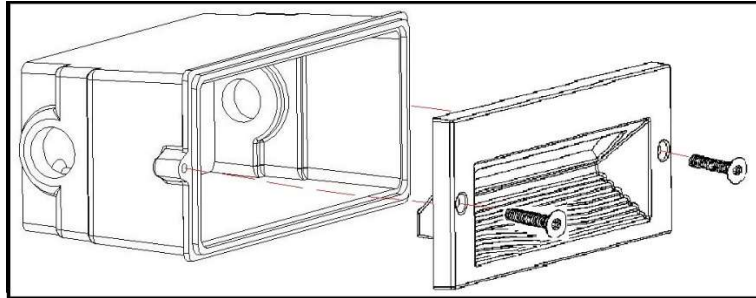
Fig.5



## INSTALLATION

1. Remove the temporary face plate from the housing (Fig. 1). Position in wall location and attach to conduit.
2.
  - a) **For concrete pour:** Attach housing with conduit mounted to concrete forms, face flange must be flush with offset flange surface (Fig. 2 & 3).
  - b) **For brick installation:** Install housing and conduit into brick, offset flange must be flush with brick surface (Fig. 1 & 3).
3. Re-install temporary face plate
4. Attach fixture wires to field wires using U.L. approved wire nuts ensuring correct polarity, i.e., green-n to-ground white-to-common, black-to-voltage.

5. Attach Component /Fascia assembly to the housing using #10-32 TORX flat head screws.



**MAINTENANCE**

*The fixture can be wiped clean as needed using a mild soap solution.*

**ATTENTION:**

*Avoid moving any exposed wires. If any wires are accidentally disconnected, call a professional to repair.*

**WIRING DIAGRAM**

