

# Beacon

Architectural Indoor/Outdoor



Beacon is a versatile architectural lighting solution, perfect for both indoor and outdoor applications. Its clean, sleek, and modern design complements a wide range of decorative styles. It delivers soft and even illumination, creating a welcoming and well-lit environment. Beacon's adaptability is evident in its ability to be mounted either vertically or horizontally, making it suitable for various configurations. Popular among multifamily and commercial applications, it's a top choice for those seeking contemporary elegance and functionality in their lighting solutions. Whether indoors or outdoors, Beacon shines as a beacon of adaptable, modern design.

## LED Engine

- Color Temp (CCT):** 3000K, 3500K, 4000K
- CRI:** 80+ (consult factory for 90+)
- Life Expectancy:** L70 rated at 50,000+ hours
- Binning:** 3-step Macadam
- Output:** Min 1636 lumens  
Max 4580 lumens

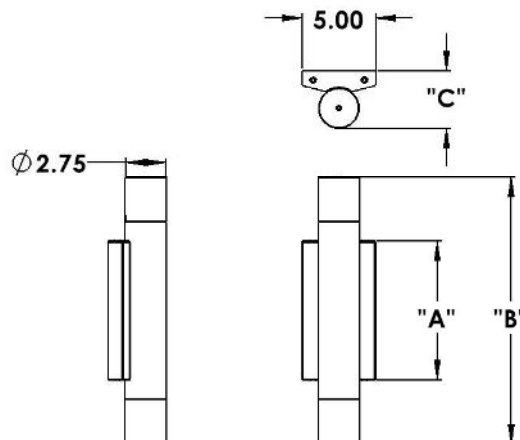
## Driver

- Type:** Constant current, Class 2, 120-277 Vac, 50/60Hz
- Dimming:** 0-10V and phase (leading or trailing edge)
- Efficiency:** Min 92%
- Operating Temp:** -40°C / -40°F to 50°C / 122°F
- FCC Noise:** Meets FCC Title 47 EMC Part 15 limits

## Certifications

- Location Listing:** Wet Location Rated
- Other:** ADA Compliant  
Buy America Compliant

## Dimensions



PRODUCT	"A"	"B"	"C"	"C" EB
BCN18	9.4"	18.3"	4.0"	N/A
BCN34	21.3"	34.0"	4.0"	4.3"
BCN45	21.3"	45.4"	4.0"	4.3"

## Construction

**Housing:** heavy gauge heat treated aluminum with a fully gasketed mounting plate. **End caps:** O-ring sealed, extruded aluminum. **Diffuser:** matte white, impact resistant, UV stabilized extruded acrylic. **Finish:** high quality polyester powder coating. **Hardware:** tamper resistant, stainless steel. **Mounting:** vertical or horizontal position, mounts directly to a 4" octagonal j-box or with wall anchors without disassembly.

# Beacon

Architectural Indoor/Outdoor



## Catalog String

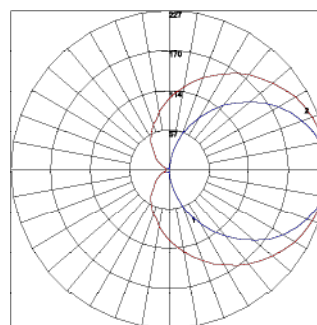
<b>Fixture Core</b>	BCN	<input type="text"/>	--	<input type="text"/>	<input type="text"/>	<b>UNIV</b>
		1	2	3	4	5
<b>Aesthetics &amp; Options</b>		<input type="text"/>	<input type="text"/>	<input type="text"/>		
		6	7	8		

## Product Specifications

1 — Product Code	2 — Trim	3 — Wattage	4 — Dimming	5 — Voltage
18 - BCN18 34 - BCN34 45 - BCN45	Not Applicable	L10.0 (18 only) L21.0 (34 only) L31.0 (45 only)	LT (LT- Leading/Trailing Edge) ZE (ZE - 0-10VDimming)	UNIV - (120V-277V)
6 — Finish	7 — CCT	8 — Options		
FBK - Fine Textured Black FBZ - Fine Textured Bronze FWH - Fine Textured White FSV - Fine Textured Silver	30K - 3000K 35K - 3500K 40K - 4000K	EB - Integral EM Battery (Not available in BCN18) F - Fused SPD - Surge Protection Device		

## Performance

Wattage	Delivered Lumens	Efficacy LM/W	CCT	Size
L10.0	1636	154	3000K	18
L21.0	2706	135	3500K	34
L31.0	4397	144	4000K	45
			5000K	



### Polar Graph Details:

BCN18-L10.0-3000K  
**IES File Name:** L012313001.IES  
 Maximum Candela = 227 Located At Horizontal Angle = 0, Vertical Angle = 90  
 # 1 - Vertical Plane Through Horizontal Angles (0 - 180) (Through Max. Cd.)  
 # 2 - Horizontal Cone Through Vertical Angle (90) (Through Max. Cd.)  
 Bug Rating: B0-U3-G1

