

BEACON LED

Architectural Outdoor



PROJECT:	
TYPE:	
PO#:	QTY:
COMMENTS:	

The BEACON is a wet location rated Led luminaire with modern lines. It is ideal for commercial and residential outdoor or indoor applications. The BECAON can be mounted in a vertical or horizontal position, thanks to its fully gasketed design. The housing and end caps are constructed from heat treated durable aluminum with the industries best polyester powder coating applied. The diffuser is outdoor rated extruded 0.187" thick impact resistant polymeric material to ensure high performance and durability. It is easily and quickly attached to a J- box using the plate provided. No disassembly is required. Standard tamper resistant stainless-steel hardware means the BEACON will provide illumination and will remain where it is installed.

FEATURES

- HOUSING

Heavy gauge heat treated aluminum
Fully gasketed to prevent water intrusion

- DIFFUSER

Impact resistant, 0.187" thick, USA-extruded matte white acrylic cylinder (O.D. 2.75"). UV stabilized for outdoor use

- Extruded aluminum end caps are sealed with o-rings. End caps are attached with stainless steel fasteners.

- LED PERFORMANCE

L70 calculated life: 100,000 + hours

5-step MacAdam color binning

LED's are assembled to an extruded heat sink for lower operating temperature

- LED Driver

Driver is constant current, Class 2, 120-277 Vac, 50/60Hz

Operating ambient temperature: -40°C / -40°F to 50°C / 122°F

High Efficiency Driver: minimum 86%

- MOUNTING

Mounts vertically or horizontally Direct to Flat Surface. Designed to be mounted to a 4x4 Octagonal j-box (by others).

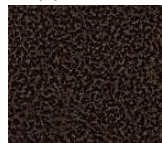
The mounting plate has additional holes at the ends for anchors if necessary.

- FINISH

All metal is prepared using a multi-step pre-treatment/sealing process, followed by 2-3 mils of polyester powder coating

FINISHES

Antique Copper



Antique Silver



Bronze Mist



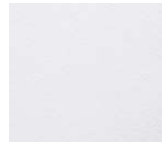
Textured Black



Textured Bronze



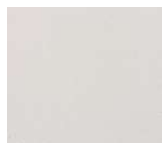
Textured White



Matte Silver



Sand

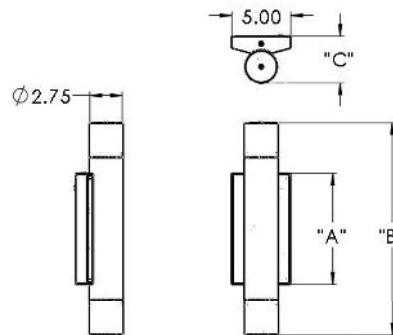


Swedish Steel



For RAL Colors & Custom Match - Contact Teron Lighting Inc.

LINE DRAWING



PRODUCT	"A"	"B"	"C"
BCN18	9.4"	18.3"	4.0"
BCN34	21.3"	34.0"	4.0"
BCN45	21.3"	45.4"	4.0"

BEACON LED

Architectural Outdoor



Fixture Core

PROJECT:	
TYPE:	
PO#:	QTY:
COMMENTS:	

PRODUCT CODE	TRIM	SOURCE/WATTAGE	DIMMING
BCN18	Not Applicable	L10.0	LT or ZE
BCN34	Not Applicable	L21.0	LT or ZE
BCN45	Not Applicable	L31.0	LT or ZE (LT - Leading/Trailing Edge) (ZE - 0-10V Dimming)
ORDER INFO			

Example ^ (may not represent a manufacturable product)

Aesthetics & Options

VOLTAGE	FINISH	COLOR TEMP	OPTIONS
UNV - 120 - 277V	AC - Antique Copper AS - Antique Silver BT - Bronze Mist SM - Matte Silver SN - Sand SW - Swedish Steel TB - Textured Black (Standard) BZ - Textured Bronze TW - Textured White	30K - 3000K Color Temp 35K - 3500K Color Temp 40K - 4000K Color Temp 50K - 5000K Color Temp	EBCA10 - Integral 10W Smart Compliant EM Battery (Only in L21.0 and L31.0, NOT ADA) F - Fused SPD - Surge Protection Device
ORDER INFO			

Actual production units may vary from the values reported here by up to +/-10%

PERFORMANCE (SOURCE LUMENS NO TRIM)

WATTAGE	3000K	LUMENS/WATT	3500K	LUMENS/WATT	4000K	LUMENS/WATT	5000K	LUMENS/WATT
L10.0	1636	154	1652	156	1669	157	1703	161
L21.0	2706	135	2733	136	2761	138	2817	141
L31.0	4397	144	4443	146	4488	147	4580	150

ELECTRICAL DATA

WATTAGE	120V	208V	240V	277V	347V	480V
L10.0	.08A	.05A	.04A	.04A	N/A	N/A
L21.0	.18A	.10A	.09A	.08A	N/A	N/A
L31.0	.26A	.15A	.13A	.11A	N/A	N/A

REPLACEMENT PART	PART NO	NOTES
		Don't see the configuration you are looking for? Call us today at (513) 858-6004



TERONLIGHTING.COM
 33 DONALD DR, FAIRFIELD, OH 45014
 P: 513.858.6004 F: 513.858.6038
 E: SALES@TERONLIGHT.COM



REV 11/8/2022

SEND CUT-SHEET

We reserve the right to revise the design components of any product due to parts availability or change in UL standards, without assuming any obligation or liability to modify any products previously manufactured, and without notice.