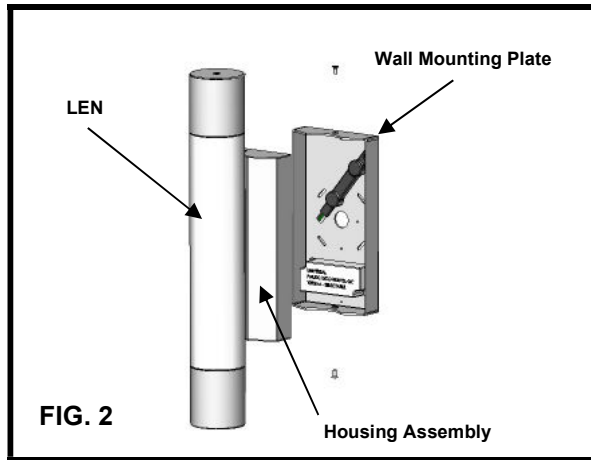
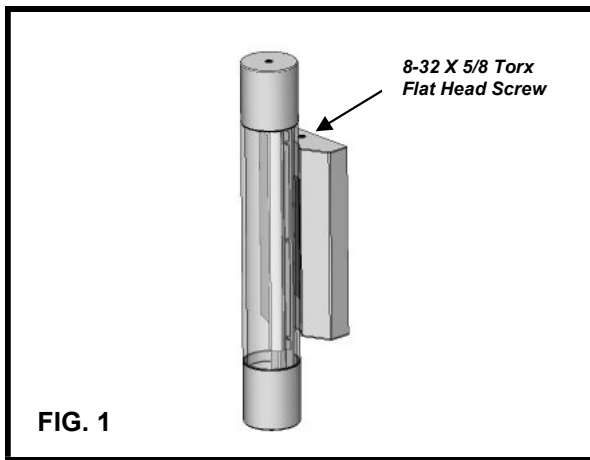




**INSTALLATION & MAINTENANCE INSTRUCTIONS  
FOR THE  
BEACON – LED**  
*Wall Mounted Luminaire P.N.:100146 REV.1*

**WARNING:** DISCONNECT POWER PRIOR TO INSTALLATION OR SERVICING OF FIXTURE

**NOTE:** THIS PRODUCT MUST BE INSTALLED IN ACCORDANCE WITH THE APPLICABLE LOCAL & NATIONAL ELECTRICAL CODES BY A PERSON FAMILIAR WITH THE CONSTRUCTION AND FAMILIAR WITH THE OPERATION OF THE PRODUCT AND HAZARDS INVOLVED.



**INSTALLATION**

1. Remove any excess packing from the fixture.
2. Remove the Housing Assembly from wall mounting plate (in Figure 2) by loosening the 8-32 X 5/8 Torx Flat Head Screws with a T-20 screw tip. See (Figure 1)
3. Pull the supply leads through the center hole in the Wall Mounting Plate.
4. Attach the Wall Mounting Plate to junction box using (2) #8-32 X 1 PH screws. (Supplied by others)
5. Connect the fixture leads to the supply leads. Teron stipulates the Black as Line, White as Common, and Bare/Green as ground.
6. Reassemble fixture by reattaching the Housing Assembly to the Wall Mounting Plate and securing the assembly in place with (2) 8-32 X 5/8 Torx Flat Head Screws.

**NOTICE:**

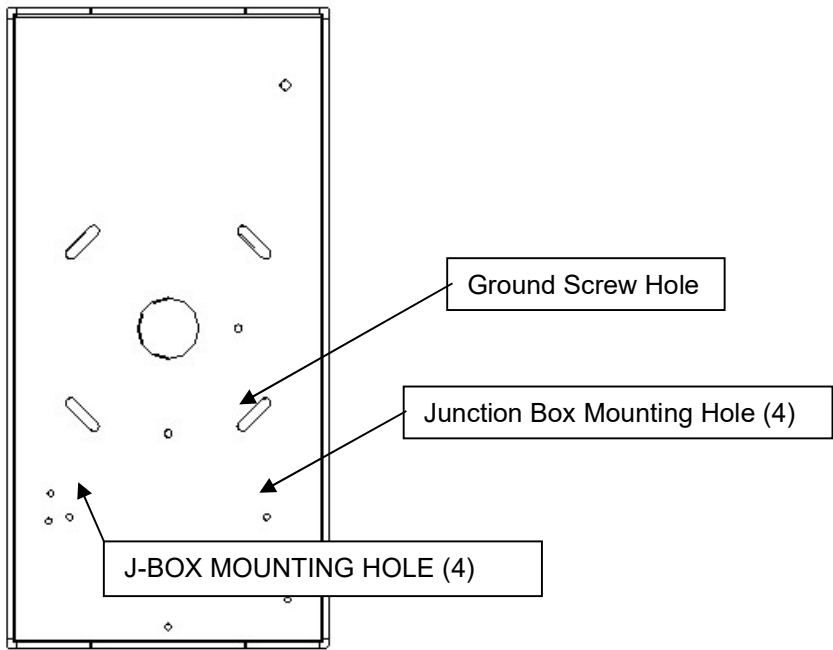
**Failure to properly caulk around perimeter of the mounting plate or pan on an outdoor fixture when mounted to a wall or ceiling, could lead to water and /or electrical damage and is not covered under the warranty.**

**MAINTENANCE**

DO NOT use cleansers containing bleach.

The metal portion of the fixture can be wiped clean as needed using a mild soap solution.

**ATTENTION:** Avoid moving any exposed wires. If any wires are accidentally disconnected, call a professional to repair.



**NOTE:** Fixture is to be mounted to the junction box using 8-32 x .75 screws

**WIRING DIAGRAM**

