



INSTALLATION & MAINTENANCE INSTRUCTIONS

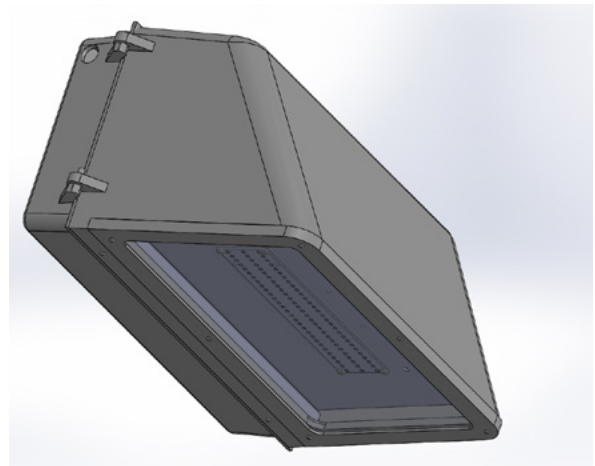
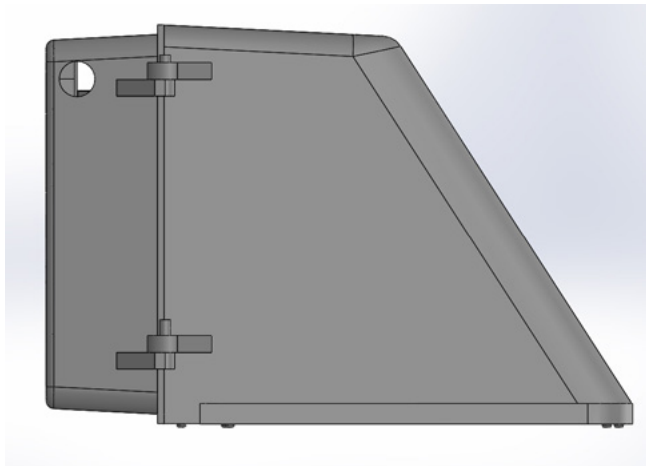
Caddy LG LED

OUTDOOR WALL LIGHTING

P.N. 76207

WARNING: DISCONNECT POWER PRIOR TO INSTALLATION OR SERVICING OF FIXTURE

NOTE: THIS PRODUCT MUST BE INSTALLED IN ACCORDANCE WITH THE APPLICABLE LOCAL & NATIONAL ELECTRICAL CODES BY A PERSON FAMILIAR WITH THE CONSTRUCTION AND FAMILIAR WITH THE OPERATION OF THE PRODUCT AND HAZARDS INVOLVED.



INSTALLATION

1. Make sure the power to the area working in is shut off to avoid serious injury from electrical shock.
2. The Caddy LG LED is designed to be mounted directly to the junction box (not supplied) using (2) 8-32 x 1" screws.
3. Remove any excess packing from the fixture.
4. Drill out appropriate junction box holes on the housing.
5. Connect the fixture leads to the supply leads. TLI stipulates the Black as Line; White as Common; Bare/Green as Ground. Connections can be made inside junction box or inside fixture housing.
6. Energize the fixture to ensure proper connection.
7. Attach the door to the housing and secure with screws.
8. Outdoor wall fixtures must be caulked with a suitable waterproof across the top, and at least 2" down each side of the fixture to properly seal it to the mounting surface. A small space should be open at the bottom of for excess moisture runoff.
9. Fill Rough or uneven surfaces, mortar joints, and any exterior holes with silicone sealant.

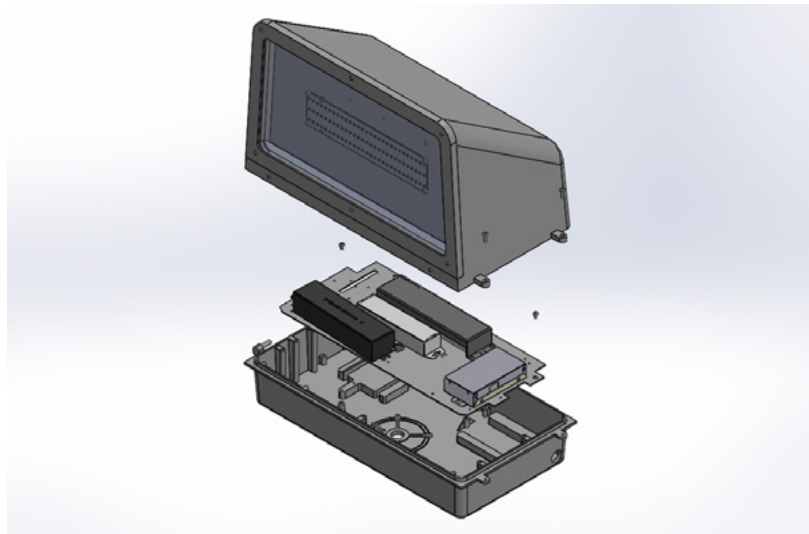
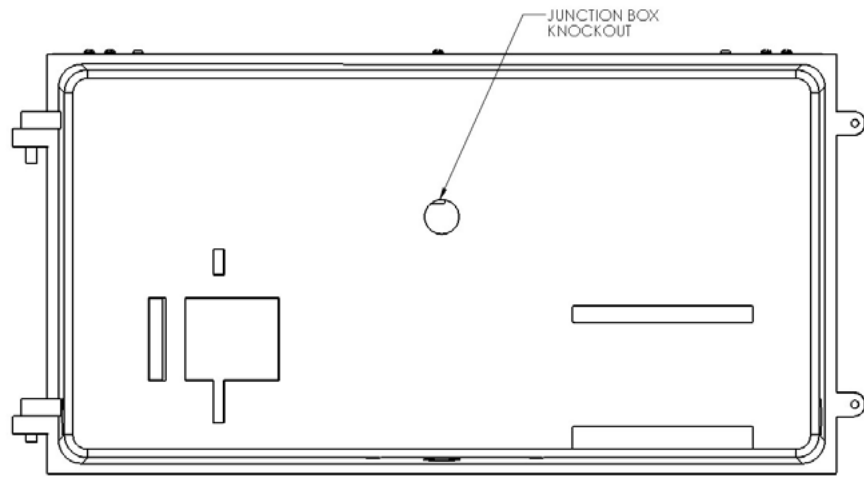
MAINTENANCE

DO NOT use cleansers containing bleach.

The metal portion of the fixture can be wiped clean as needed using a mild soap solution.

ATTENTION

Avoid moving any exposed wires. If any wires are accidentally disconnected, call a professional to repair.



WIRING DIAGRAM

