

VICEROY LG SLT LED 36"

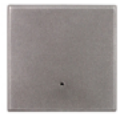
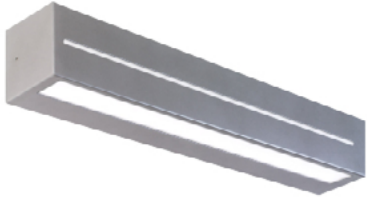
Architectural Indoor



PROJECT:	
TYPE:	
PO#:	QTY:
COMMENTS:	

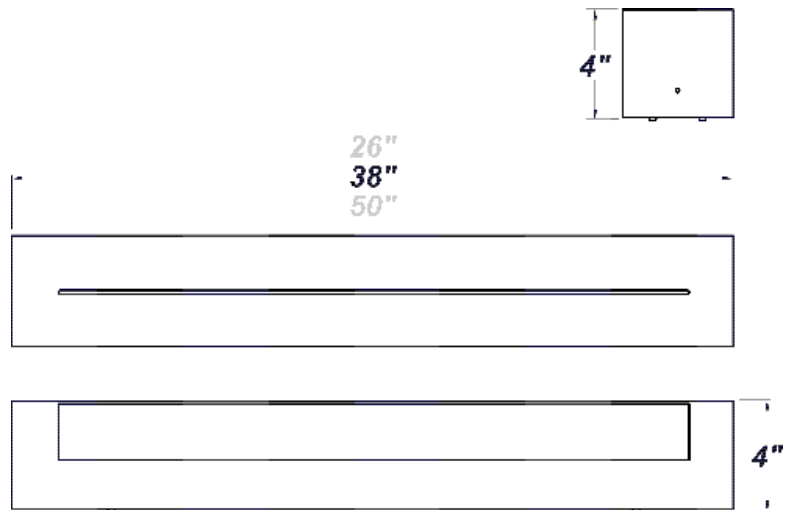
FEATURES

- Steel Housing with Matte Silver Powder Coat Finish
- Matte White Acrylic Inner Diffuser
- Clear Acrylic Outer Diffuser
- 0-10V and Trailing Edge (ELV) Dimming Compatible Options Available
- Over-Voltage, Over-Current, and Short-Circuit Protection with Auto Recovery
- Mounts Directly to Surface with Two Wall Anchors (Not Included) Over a 2" Junction Box (Not Included)
- L70 Life Time For 50,000hr
- Knockouts on Back Accept Standard Electrical Fittings (By Others)
- ADA Compliant
- CSA Listed Damp Location For Wall or Ceiling Mount
- LED Light Fixture

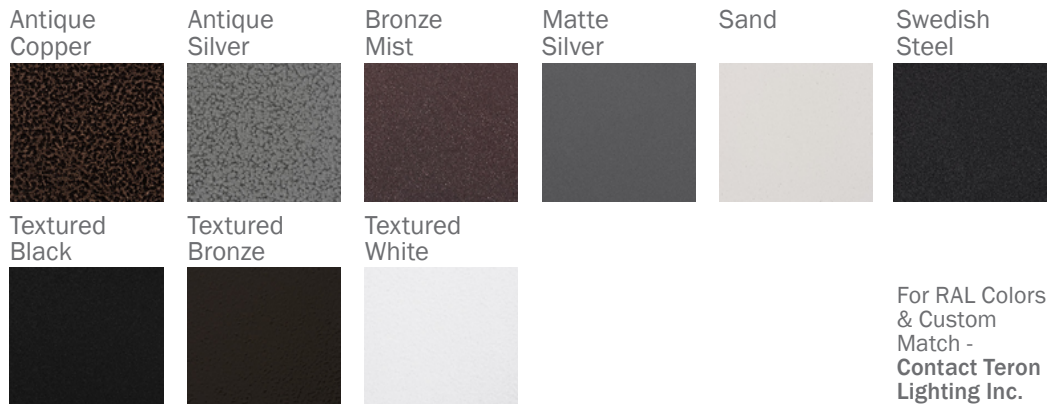


LINE DRAWING

LINE DRAWING NOT TO SCALE



FINISHES



VICEROY LG SLT LED 36"

Architectural Indoor



Fixture Core

PROJECT:	
TYPE:	
PO#:	QTY:
COMMENTS:	

PRODUCT CODE	SOURCE/WATTAGE	VOLTAGE	DIMMING DRIVER
VCYL36 - Viceroy LG 36"	L27.2-ZE800 - 38.3W LED Strip(s) @ 800mA Line Voltage 4-Wire Dimming Driver (Dimmable 0 - 10V)	120-277V 347V	Not Applicable
ORDER INFO			
VCYL36 Example ^	L27.2-ZE800	120-277V	Not Applicable

Aesthetics & Options

TRIM	FINISH	COLOR TEMP	OPTIONS
SLT	AC - Antique Copper AS - Antique Silver BT - Bronze Mist BZ - Textured Bronze SM - Matte Silver (Standard) SN - Sand SW - Swedish Steel TB - Textured Black TW - Textured White	30K - 3000K Color Temp 35K - 3500K Color Temp 40K - 4000K Color Temp 50K - 5000K Color Temp	EB12 - Integral Emergency Battery (120V - 277V Only) EBR - Remote Mount Battery (Field Installed) F - Fused (120V / 277V Only) JBC - Junction Box Cover TP - Tamper Resistant Screws
ORDER INFO			
SLT Example ^	AC	30K	EB

PROD	SOURCE	30K SPECS			
VCYL36	L27.2	<ul style="list-style-type: none"> 80CRI Typ. 30K - 3000K Color Temp 3976 LED Source Lumens 146.2 LED Source Lumens Per Watt 2577 LED Delivered Lumens 95 LED Delivered Lumens per Watt 			
	EB12	<ul style="list-style-type: none"> 80 CRI Typ. 1135 LED Source Lumens MAX 805 LED Source Lumens MIN 			

REPLACEMENT PART	PART NO	NOTES
3' Lens Assembly	38097	

Don't see the configuration you are looking for?
Call us today at (513) 858-6004



TERONLIGHTING.COM
33 DONALD DR, FAIRFIELD, OH 45014
P: 513.858.6004 F: 513.858.6038
E: SALES@TERONLIGHT.COM



We reserve the right to revise the design components of any product due to parts availability or change in UL standards, without assuming any obligation or liability to modify any products previously manufactured, and without notice.