

# SURE SHOT N LED 48"

Architectural Indoor



PROJECT:	
TYPE:	
PO#:	QTY:
COMMENTS:	

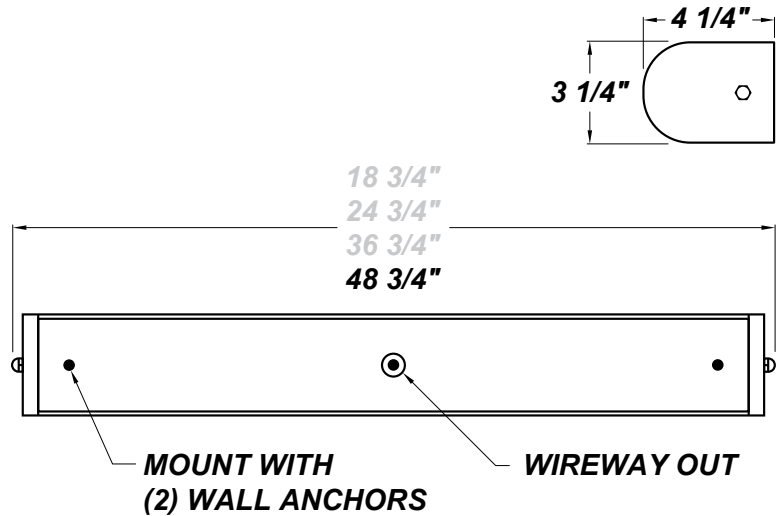
## FEATURES

- CSA Listed Damp Location For Surface Mount
- LED Light Fixture
- Mounts Directly to Surface w/ Two Wall Anchors (Not Included)
- Ribbed White Acrylic Lens
- Steel End Caps w/ White Powder Coat Finish
- Steel Housing w/ White Powder Coat Finish
- Steel Mounting Pan w/ Hi-Reflectance White Powder Coat Finish



## LINE DRAWING

LINE DRAWING NOT TO SCALE



## FINISHES

Antique Copper	Antique Silver	Bronze Mist	Gloss White	Matte Silver	Sand
Swedish Steel	Textured Black	Textured Bronze	Textured White		

For RAL Colors & Custom Match - Contact Teron Lighting Inc.

# SURE SHOT N LED 48"

Architectural Indoor



Fixture Core

PROJECT:	
TYPE:	
PO#:	QTY:
COMMENTS:	

PRODUCT CODE	SOURCE/WATTAGE	VOLTAGE	DIMMING DRIVER
<b>SSN48</b> - Sure Shot N 48"	<b>L36.0-ZE1100</b> - 36.0W Strips @ 1100mA Line Voltage 4-Wire Dimming Driver (Dimmable 0 - 10V)	<b>120V</b> <b>277V</b> (50 / 60Hz)	<b>Not Applicable</b>
ORDER INFO			
PN12 Example ^	L36.0-ZE1100	120V	Not Applicable

Aesthetics & Options

TRIM	FINISH	COLOR TEMP	OPTIONS
<b>Not Applicable</b>	<b>AC</b> - Antique Copper Bronze <b>AS</b> - Antique Silver <b>TW</b> - Textured White <b>BT</b> - Bronze Mist <b>CH</b> - Chrome Plated <b>WH</b> - Gloss White (Standard) <b>SM</b> - Matte Silver <b>SN</b> - Sand <b>SW</b> - Swedish Steel <b>TB</b> - Textured Black <b>BZ</b> - Textured	<b>30K</b> - 3000K Color Temp <b>35K</b> - 3500K Color Temp <b>40K</b> - 4000K Color Temp <b>50K</b> - 5000K Color Temp	<b>F</b> - Single Fuse 120/277V
ORDER INFO			
Not Applicable Example ^	AC	27K	F

PROD	SOURCE	30K SPECS			
<b>SS48N</b>	L36.0	<ul style="list-style-type: none"> <li>30K - 3000K Color Temp</li> <li>5261 LED Source Lumens</li> <li>146.1 LED Source Lumens Per Watt</li> </ul>			

REPLACEMENT PART	PART NO	NOTES
36" White Ribbed Acrylic Diffuser	3037160	
		Don't see the configuration you are looking for? Call us today at (513) 858-6004



TERONLIGHTING.COM  
 33 DONALD DR, FAIRFIELD, OH 45014  
 P: 513.858.6004 F: 513.858.6038  
 E: SALES@TERONLIGHT.COM



We reserve the right to revise the design components of any product due to parts availability or change in UL standards, without assuming any obligation or liability to modify any products previously manufactured, and without notice.