

SPARTAN SM BFP LED

Architectural Outdoor



PROJECT:	
TYPE:	
PO#:	QTY:
COMMENTS:	

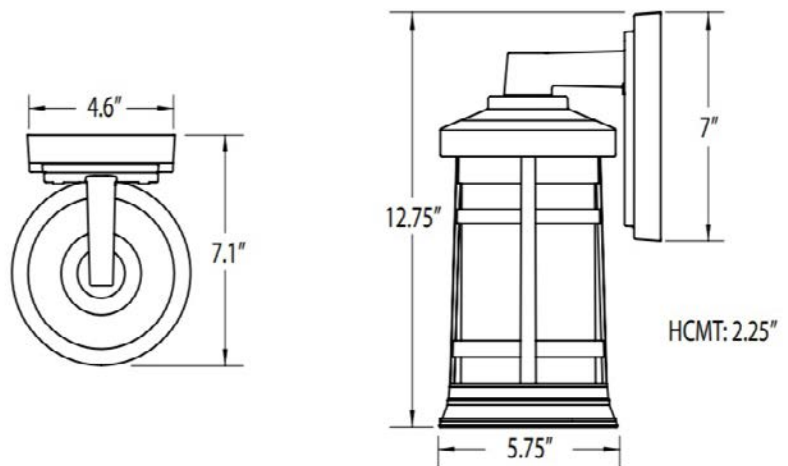
FEATURES

- Composite Resin Housing and Acrylic Lens With UV Protection for Long Term Fade Resistance
- LED Light Fixture
- Mounting Hardware Included
- cUL-UL Listed Wet Location For Wall Mount



LINE DRAWING

LINE DRAWING NOT TO SCALE

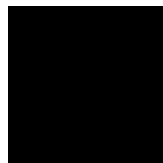


FINISHES

Bronze

Black

White



SPARTAN SM BFP LED

Architectural Outdoor



Fixture Core

PROJECT:	
TYPE:	
PO#:	QTY:
COMMENTS:	

PRODUCT CODE	SOURCE/WATTAGE	VOLTAGE	DIMMING DRIVER
SPTSM - Spartan Small Budget Friendly LED	L13.0 - (1) 13.0W LED Engine 1x60 - (1) Socket 60W Inc.	120V	TRIAC - TRIAC Dimming (On LED Engine Only)
ORDER INFO			
SPTSM Example ^	L13.0	120V	TRIAC

Aesthetics & Options

TRIM	FINISH	COLOR TEMP	OPTIONS
Not Applicable	BZ - Bronze BK - Black WH - White	30K - 3000K Color Temp. 40K - 4000K Color Temp.	PCL - Photocell
ORDER INFO			
Not Applicable Example ^	BZ	30K	PCL

PROD	SOURCE	30K SPECS				
SPTSM	L13.0	<ul style="list-style-type: none"> • 30K - 3000K Color Temp • 1140 LED Delivered Lumens • 88 Lumens Per Watt • 80 CRI 				

REPLACEMENT PART	PART NO	NOTES



TERONLIGHTING.COM
 33 DONALD DR, FAIRFIELD, OH 45014
 P: 513.858.6004 F: 513.858.6038
 E: SALES@TERONLIGHT.COM



We reserve the right to revise the design components of any product due to parts availability or change in UL standards, without assuming any obligation or liability to modify any products previously manufactured, and without notice.