

# ORION LED 46"

Architectural Indoor



PROJECT:	
TYPE:	
PO#:	QTY:
COMMENTS:	

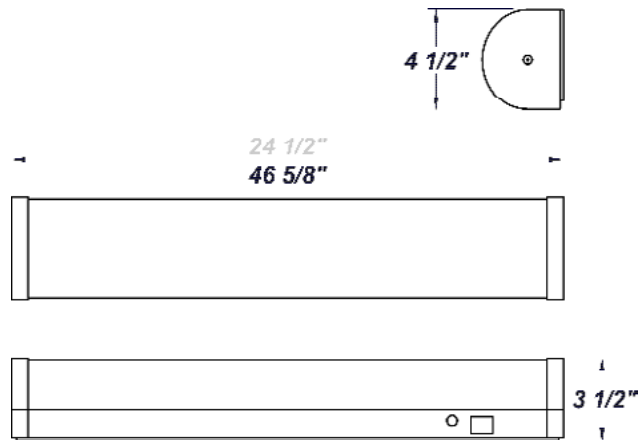
## FEATURES

- ADA Compliant
- CSA Dry Location For Wall or Ceiling Mount
- Emergency Battery Available
- LED Light Fixture
- Durayl® LED White Impact Modified Acrylic Diffuser
- Mounts Directly to Surface w/ 2 Wall Anchors (Not Included)
- Steel Mount Pan & End Caps w/ Gloss White Powder Coat Finish



## LINE DRAWING

LINE DRAWING NOT TO SCALE



## FINISHES

Antique Copper	Antique Silver	Bronze Mist	Gloss White	Matte Silver	Sand
Swedish Steel	Textured Black	Textured Bronze	Textured White		

For RAL Colors & Custom Match - Contact Teron Lighting Inc.

# ORION LED 46"

Architectural Indoor



Fixture Core

PROJECT:	
TYPE:	
PO#:	QTY:
COMMENTS:	

PRODUCT CODE	SOURCE/WATTAGE	VOLTAGE	DIMMING DRIVER
ORN48 - Orion 46"	<b>L32.0-ZE1100</b> - (1) 32.0W (44) LED Strip @ 1100mA 0-10V Dimming Driver <b>L37.0-LT1300</b> - (1) 37.0W (44) LED Strip @ 1300mA ELV Dimming Driver	<b>120-277V</b> (50 / 60Hz)	<b>Not Applicable</b>
ORDER INFO			
ORN48 Example ^	L32.0-ZE1100	120-277V	Not Applicable

Aesthetics & Options

TRIM	FINISH	COLOR TEMP	OPTIONS
<b>Not Applicable</b>	<b>AC</b> - Antique Copper <b>AS</b> - Antique Silver <b>BT</b> - Bronze Mist <b>BZ</b> - Textured Bronze <b>SN</b> - Sand <b>SM</b> - Matte Silver <b>SW</b> - Swedish Steel <b>TB</b> - Textured Black <b>TW</b> - Textured White <b>WH</b> - Gloss White (Standard)	<b>30K</b> - 3000K Color Temp <b>35K</b> - 3500K Color Temp <b>40K</b> - 4000K Color Temp <b>50K</b> - 5000K Color Temp	<b>EB</b> - Integral Emergency Battery <b>F</b> - Fused <b>TP</b> - Tamper-Proof Screw Set
ORDER INFO			
Not Applicable Example ^	WH	30K	EB

PROD	SOURCE	30K SPECS			
ORN48	L32.0	<ul style="list-style-type: none"> <li>80 CRI Typ</li> <li>30K - 3000K Color Temp</li> <li>3917 LED Source Lumens</li> <li>122.4 LED Source Lumens Per Watt</li> </ul>			
	L37.0	<ul style="list-style-type: none"> <li>30K - 3000K Color Temp</li> <li>4487 LED Source Lumens</li> <li>121.3 LED Source Lumens Per Watt</li> </ul>			

REPLACEMENT PART	PART NO	NOTES
White Acrylic Lens	3058160	
		Don't see the configuration you are looking for? Call us today at (513) 858-6004



**TERONLIGHTING.COM**  
 33 DONALD DR, FAIRFIELD, OH 45014  
 P: 513.858.6004 F: 513.858.6038  
 E: SALES@TERONLIGHT.COM



We reserve the right to revise the design components of any product due to parts availability or change in UL standards, without assuming any obligation or liability to modify any products previously manufactured, and without notice.