

# NIKE PD BFP LED 14"

Architectural Indoor



PROJECT:	
TYPE:	
PO#:	QTY:
COMMENTS:	

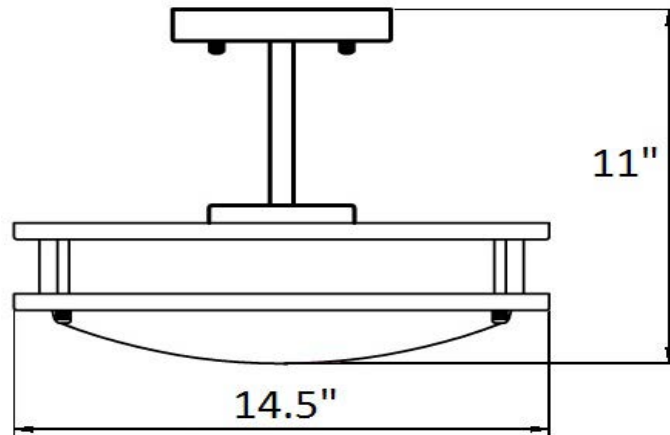
## FEATURES

- Anodized Aluminum Reflector
- Die-Formed Cold-Rolled Steel Housing
- Energy Star
- ETL/cETL Listed Dry Location
- LED Light Fixture
- Mounts Directly to 4" Junction Box (By Others)
- Mounting Hardware Included
- White Acrylic Lens



## LINE DRAWING

LINE DRAWING NOT TO SCALE



## FINISHES

Brushed  
Nickel



# NIKE PD BFP LED 14"

Architectural Indoor



Fixture Core

PROJECT:	
TYPE:	
PO#:	QTY:
COMMENTS:	

PRODUCT CODE	SOURCE/WATTAGE	VOLTAGE	DIMMING DRIVER
NEBPD14 - Nike PD BFP LED 14"	L24.0-700 - (1) 24W @ 700mA	120V - 277V	Not Applicable
ORDER INFO			
NEBPD14	L24.0-700	120/277V	Not Applicable

Example ^

Aesthetics & Options

TRIM	FINISH	COLOR TEMP	OPTIONS
Not Applicable	BN - Brushed Nickel (Standard)	30K - 3000K Color Temp. 40K - 4000K Color Temp.	Not Applicable
ORDER INFO			
Not Applicable	BN	30K	Not Applicable

Example ^

PROD	SOURCE	30K SPECS			
NEBPD14	L24	<ul style="list-style-type: none"> <li>30K - 3000K Color Temp</li> <li>2449.6 LED Delivered Lumens</li> <li>106.5 LED Source Lumens Per Watt</li> <li>80 CRI</li> </ul>			

REPLACEMENT PART	PART NO	NOTES



TERONLIGHTING.COM  
 33 DONALD DR, FAIRFIELD, OH 45014  
 P: 513.858.6004 F: 513.858.6038  
 E: SALES@TERONLIGHT.COM

We reserve the right to revise the design components of any product due to parts availability or change in UL standards, without assuming any obligation or liability to modify any products previously manufactured, and without notice.