

LUNAR 2T SM MCT LED

Architectural Indoor



PROJECT:	
TYPE:	
PO#:	QTY:
COMMENTS:	

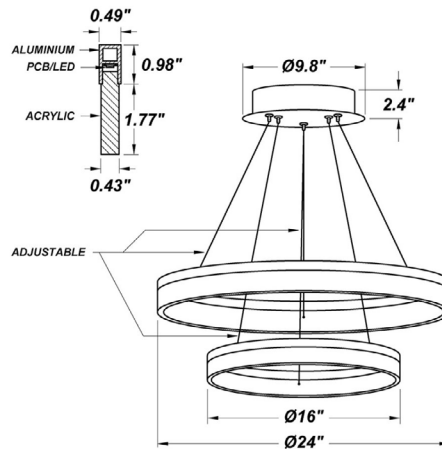


FEATURES

- 0-10V Dimmable
- Circular Driver Box Hanging System (Standard)
- Direct Down Light
- Frosted Acrylic Lens
- LED Light Fixture
- Low Profile Seamless Aluminum Frame
- MCT 3000k, 3500k, 4000k
- Suspended LED Circle Diameters: 16", 24"
- Suspended LED Circle Height: 2.75"
- Suspended LED Circle Thickness: 0.49"
- Suspension Cables are 6' Long and Field Adjustable
- UL Listed Dry Location For Ceiling Mount

LINE DRAWING

LINE DRAWING NOT TO SCALE



FINISHES

Matte Black

Matte White

Platinum



LUNAR 2T SM MCT LED

Architectural Indoor



Fixture Core

PROJECT:	
TYPE:	
PO#:	QTY:
COMMENTS:	

PRODUCT CODE	SOURCE/WATTAGE	VOLTAGE	DIMMING DRIVER
LNR2T-SM - Lunar 2 Tier 16" and 24"	L50.0-ZE1025mA - 50.0W @ 1025mA Dimming Driver	120V - 277V	0-10V Dimming
ORDER INFO			
LNR2T-SM Example ^	L50.0-ZE1025	120-277V	

Aesthetics & Options

TRIM	FINISH	COLOR TEMP
Not Applicable	BK - Matte Black MW - Matte White (Standard) PL - Platinum	MCT - 3000K, 3500K, 4000K Color Temp.
ORDER INFO		
Not Applicable Example ^	BK	MCT

PROD	SOURCE	30K SPECS	40K SPECS
LNR1T-SM	L50.0	<ul style="list-style-type: none"> • 30K - 3000K Color Temp • 1500 LED Source Lumens • 75 Lumens Per Watt • 80 CRI 	<ul style="list-style-type: none"> • 40K - 4000K Color Temp • 1600 LED Source Lumens • 80 Lumens Per Watt • 80 CRI

REPLACEMENT PART	PART NO	NOTES



TERONLIGHTING.COM
 33 DONALD DR, FAIRFIELD, OH 45014
 P: 513.858.6004 F: 513.858.6038
 E: SALES@TERONLIGHT.COM

We reserve the right to revise the design components of any product due to parts availability or change in UL standards, without assuming any obligation or liability to modify any products previously manufactured, and without notice.