

LEHMAN LED

Architectural Indoor



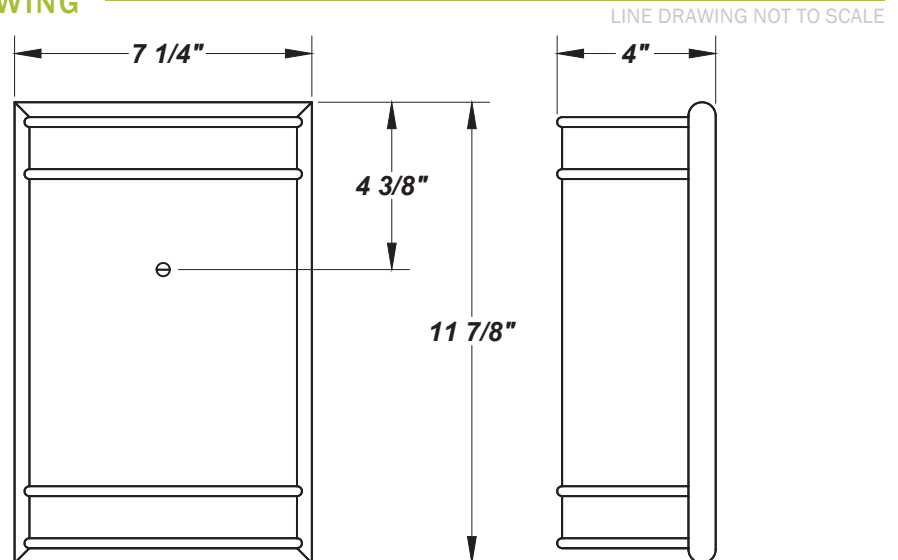
PROJECT:	
TYPE:	
PO#:	QTY:
COMMENTS:	



FEATURES

- 120V 350mA Drivers Are Dimmable
- 277V 350mA Drivers Are Not Dimmable
- ADA Compliant
- Constant Current at 350 Milliamps
- CSA Listed Dry Location
- CSA Listed Dry Location For Wall Mounting
- Dimmable to <5%, Dimmable With Either Triac or Electronic Dimmers
- Estimated 50,000 Hours Life (L70)
- LED Light Fixture
- Mounting Hardware Included
- Mounts Directly to 4" Junction Box (By Others)
- Open Top & Bottom
- Over-Current, Over-Voltage, and Short Circuit Protection
- Steel Mounting Pan w/ Hi-Reflectance White Powder Coat Finish
- UL Class 2 Driver - Power Factor >.90
- White Acrylic Lens w/ Matte Chrome Resin Trim Accents

LINE DRAWING



FINISHES

For RAL Colors
& Custom
Match -
Contact Teron
Lighting Inc.

LEHMAN LED

Architectural Indoor



Fixture Core

PROJECT:	
TYPE:	
PO#:	QTY:
COMMENTS:	

PRODUCT CODE	SOURCE/WATTAGE	VOLTAGE	DIMMING DRIVER
LN - Lehman	L12.5-LT350 - 12.5W @ 350mA Constant Current L17.0-LT500 - 17.0W @ 500mA Constant Current L17.0-ZE500 - 17.0W @ 500mA Constant Current	120 - 277V (50 / 60Hz)	Not Applicable
ORDER INFO			
LN Example ^	L12.5-LT350	120 - 277V	Not Applicable

Aesthetics & Options

TRIM	FINISH	COLOR TEMP	OPTIONS
Not Applicable	Not Applicable	30K - 3000K Color Temp 35K - 3500K Color Temp 40K - 4000K Color Temp	F - Fused
ORDER INFO			
Not Applicable Example ^	Not Applicable	30K	F

PROD	SOURCE	30K SPECS			
LN	L12.5	<ul style="list-style-type: none"> 80 CRI Typ. 1195 LED Source Lumens 95.6 LED Source Lumens Per Watt 			
	L17.0	<ul style="list-style-type: none"> 80 CRI Typ. 2305 LED Source Lumens 135.6 LED Source Lumens Per Watt 			

REPLACEMENT PART	PART NO	NOTES
White Acrylic Lens w/ Matte Chrome Trim	3070767	Don't see the configuration you are looking for? Call us today at (513) 858-6004



TERONLIGHTING.COM
 33 DONALD DR, FAIRFIELD, OH 45014
 P: 513.858.6004 F: 513.858.6038
 E: SALES@TERONLIGHT.COM



We reserve the right to revise the design components of any product due to parts availability or change in UL standards, without assuming any obligation or liability to modify any products previously manufactured, and without notice.