

KATONA BFP LED 48" MCT

Architectural Indoor



PROJECT:	
TYPE:	
PO#:	QTY:
COMMENTS:	

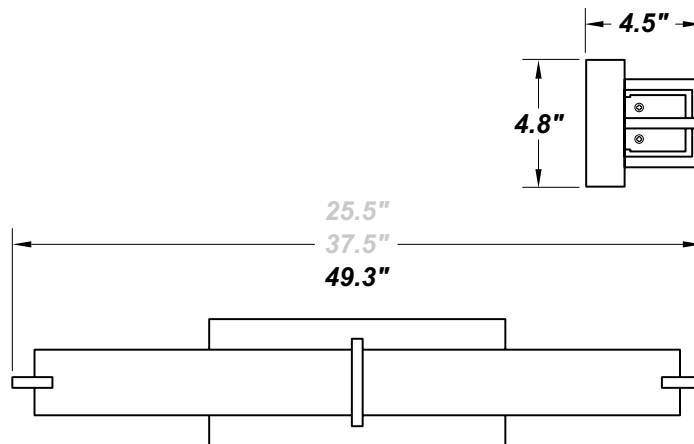
FEATURES

- Acrylic Lens
- Anodized Aluminum Reflector
- Die-Formed Cold-Rolled Steel Housing
- Energy Star
- ETL/cETL Listed Dry Location
- LED Light Fixture
- MCT (Multi Color Tuning) 3000K, 3500K, 4000K
- Mounts Directly to 4" Junction Box (By Others)
- Mounting Hardware Included
- UL/cUL Listed



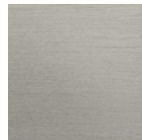
LINE DRAWING

LINE DRAWING NOT TO SCALE



FINISHES

Brushed
Nickel



KATONA BFP LED 48" MCT

Architectural Indoor



Fixture Core

PROJECT:	
TYPE:	
PO#:	QTY:
COMMENTS:	

PRODUCT CODE	SOURCE/WATTAGE	VOLTAGE	DIMMING DRIVER
KA48 - Katona 48"	L38.0-1050 - (1) 38W @ 1050mA	UNV - 120V-277V (50/60 Hz)	Not Applicable
ORDER INFO			
KA48 Example ^	L38.0-1050	UNV	Not Applicable

Aesthetics & Options

TRIM	FINISH	COLOR TEMP	OPTIONS
Not Applicable	BN - Brushed Nickel (Standard)	MCT - 3000K, 3500K, 4000K Color Temps.	Not Applicable
ORDER INFO			
Not Applicable Example ^	BN	MCT	Not Applicable

PROD	SOURCE	30K SPECS
KA48	L38.0	<ul style="list-style-type: none"> • 30K - 3000K Color Temp • 2751.51 LED Delivered Lumens • 76 LED Delivered Lumens Per Watt

REPLACEMENT PART	PART NO	NOTES
		KA48 L70 >50,000 hrs Minimum Starting Temperature = -20 Degrees C



TERONLIGHTING.COM
 33 DONALD DR, FAIRFIELD, OH 45014
 P: 513.858.6004 F: 513.858.6038
 E: SALES@TERONLIGHT.COM

We reserve the right to revise the design components of any product due to parts availability or change in UL standards, without assuming any obligation or liability to modify any products previously manufactured, and without notice.