

Zenith Small

Architectural Outdoor



A harmonious blend of state-of-the-art lighting technology and exquisite design, the Zenith Small embodies both precision and elegance. Its compact wall-mounted design is effortlessly versatile, making it a prime choice for diverse settings, from chic boutique stores to sophisticated home interiors. For architects and designers seeking to infuse spaces with a touch of refinement coupled with superior illumination, the Zenith Small stands out as a premier option.

LED Engine

- Color Temp (CCT):** 3000K, 3500K, 4000K
- CRI:** 80+ (consult factory for 90+)
- Life Expectancy:** L70 rated at 50,000+ hours
- Binning:** 3-step Macadam
- Output:** Min 1944 Source Lumens
Max 3280 Source Lumens

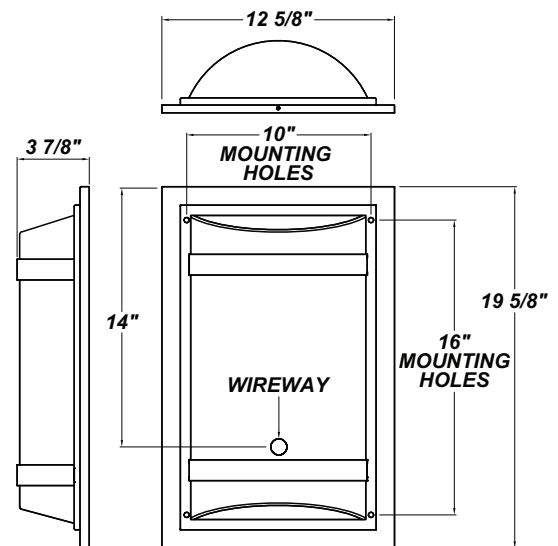
Driver

- Type:** Constant current, Class 2, 120-277 Vac, 50/60Hz
- Dimming:** Phase (Trailing Edge)
- Efficiency:** Min 92%
- Operating Temp:** -40°C / -40°F to 50°C / 122°F
- FCC Noise:** Meets FCC Title 47 EMC Part 15 limits

Certifications

- Location Listing:** Wet Location Rated for Wall Mounting
- Other:** ADA Compliant
Buy America Compliant

Dimensions



Construction

Mounting Plate: die-formed aluminum with high reflectance white finish. **Trim:** die-formed aluminum with impact-resistant luminous white acrylic diffuser. **Finish:** high quality polyester powder coating, various finishes. **Hardware:** Stainless steel. **Mounting:** Wall-mounted over a 4 inch junction box.



Zenith Small

Architectural Outdoor



Catalog String

Fixture Core

ZENS

1

2

3

TE

4

UNIV

5

Aesthetics & Options

6

7

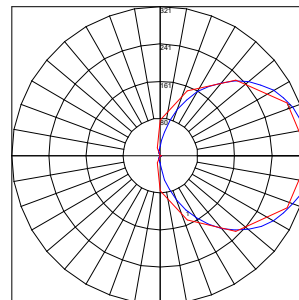
8

Product Specifications

1 — Product Code	2 — Trim	3 — Wattage	4 — Dimming	5 — Voltage
ZENS	STD (<i>blank</i>) TBS	L16.2 L24.3	TE - Trailing Edge	UNIV - (120V-277V)
6 — Finish	7 — CCT	8 — Options		
FBK - Fine Textured Black FBZ - Fine Textured Bronze FWH - Fine Textured White FSV - Fine Textured Silver	30K - 3000K 35K - 3500K 40K - 4000K	F - Fused MSI - Integral Motion Sensor SPD - Surge Protection Device TP - Tamper-Proof Screw Set		

Performance

Wattage	Source Lumens	Efficacy LM/W	CCT
L16.2	1944	121	3000K
L24.3	3280	121	



Polar Graph Details:

IES File Name: ZENITH SM LED 23.4 3000K.IES

Maximum Candela = 321 Located At Horizontal Angle = 0, Vertical Angle = 85

1 - Vertical Plane Through Horizontal Angles (0 - 180) (Through Max. Cd.)

2 - Horizontal Cone Through Vertical Angle (85) (Through Max. Cd.)

BUG Rating: B0-U3-G2

