

Viceroy Large

Architectural Indoor



The Viceroy Large is where cutting-edge illumination meets unparalleled design elegance. With its expansive ceiling-mounted form, it casts a soft, uniform glow, eliminating harsh shadows and creating a well-balanced luminous environment. This seamless lighting experience is perfect for upscale commercial spaces, grand entryways, or any area where ambiance matters. Its design ensures optimal light dispersion, adding depth and character to every room it graces. For architects and designers aiming to blend visual appeal with unmatched lighting performance, the Viceroy Large is a stellar choice.

LED Engine

- Color Temp (CCT):** 3000K, 3500K, 4000K
- CRI:** 80+ (consult factory for 90+)
- Life Expectancy:** L70 rated at 50,000+ hours
- Binning:** 3-step Macadam
- Output:** Min 2982 Source Lumens
Max 5219 Source Lumens

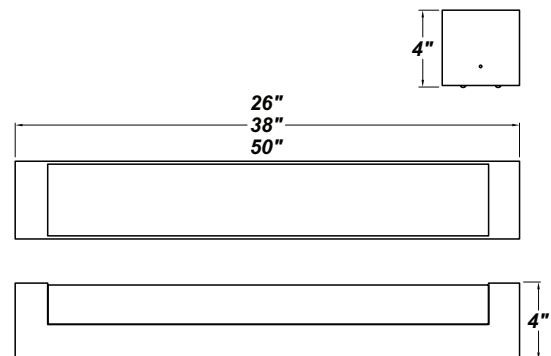
Driver

- Type:** Constant current, Class 2, 120-277 Vac, 50/60Hz
- Dimming:** 0-10V and phase (trailing edge)
- Efficiency:** Min 92%
- Operating Temp:** -40°C / -40°F to 50°C / 122°F
- FCC Noise:** Meets FCC Title 47 EMC Part 15 limits

Certifications

- Location Listing:** Damp Location Rated for Wall or Ceiling Mounting
- Other:** ADA Compliant
Buy America Compliant

Dimensions



Construction

Mounting Plate: Die-formed steel. **Housing:** die-formed steel with clear acrylic lens and white inner diffuser. **Finish:** high quality polyester powder coating, various finishes. **Mounting:** Wall or ceiling above a 4 inch junction box.



Viceroy Large

Architectural Indoor



Catalog String

Fixture Core

VCYL

1

2

3

4

UNIV

5

Aesthetics & Options

6

7

8

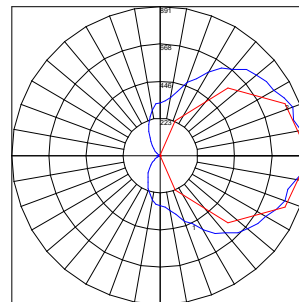
Product Specifications

1 — Product Code	2 — Trim	3 — Wattage	4 — Dimming	5 — Voltage
24 - VCYL24	STD (blank)	L20.1 (24" only)	ZE - 0-10V	UNIV - (120V-277V)
36 - VCYL36	DL	L27.2 (36"/ZE only)	TE - Trailing Edge	
48 - VCYL48	UDL	L34.7 (48"/TE only)		
	SLT	L38.3 (48"/ZE only)		

6 — Finish	7 — CCT	8 — Options	
FBK - Fine Textured Black	30K - 3000K	EB - Integral EM Battery (Not in 24")	JBC - 4" x 4" Junction Box Cover
FBZ - Fine Textured Bronze	35K - 3500K	EBR - Remote Mount Battery (Field Installed)	MSI - Integral Motion Sensor
FWH - Fine Textured White	40K - 4000K	F - Fused	TP - Tamper-Proof Screw Set
FSV - Fine Textured Silver			

Performance

Wattage	Source Lumens	Efficacy LM/W	CCT	Size
L20.1	2982	148.3	3000K	24
L27.2	3976	146.2		36
L34.7	4722	136.1		48
L38.3	5219	136.3		48



Polar Graph Details:

IES File Name: VICEROY LG LED 4FT 38.3W STANDARD 3000K.IES

Maximum Candela = 891 Located At Horizontal Angle = 0, Vertical Angle = 95

1 - Vertical Plane Through Horizontal Angles (0 - 180) (Through Max. Cd.)

2 - Horizontal Cone Through Vertical Angle (95) (Through Max. Cd.)



Trims



Viceroy STD LED



Viceroy DL LED



Viceroy UDL LED



Viceroy SLT LED