



The epitome of architectural brilliance combined with advanced illumination. Its sleek, linear profile effortlessly suits both modern and classic designs. Versatile for both vertical and horizontal placements, it's ideal for commercial spaces and upscale residences alike. Whether illuminating a contemporary office or enhancing a home's entrance, the Viceroy blends aesthetics with top-notch performance, making it a go-to choice for discerning architects.

## LED Engine

- Color Temp (CCT):** 3000K, 3500K, 4000K
- CRI:** 80+ (consult factory for 90+)
- Life Expectancy:** L70 rated at 50,000+ hours
- Binning:** 3-step Macadam
- Output:** Min 745.3 Source Lumens  
Max 5964 Source Lumens

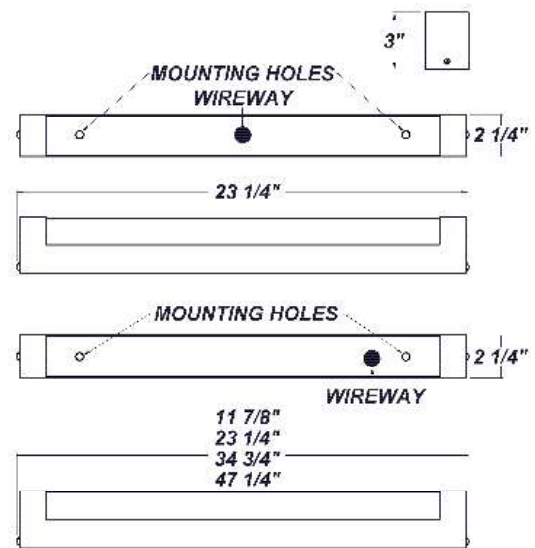
## Driver

- Type:** Constant current, Class 2, 120-277 Vac, 50/60Hz
- Dimming:** 0-10V and phase (trailing edge)
- Efficiency:** Min 92%
- Operating Temp:** -40°C / -40°F to 50°C / 122°F
- FCC Noise:** Meets FCC Title 47 EMC Part 15 limits

## Certifications

- Location Listing:** Damp Location Rated for Wall or Ceiling Mounting
- Other:** ADA Compliant  
Buy America Compliant

## Dimensions



## Construction

**Mounting Plate:** Die-formed steel. **Housing:** die-formed steel with clear acrylic lens and white inner diffuser. **Finish:** high quality polyester powder coating, various finishes. **Mounting:** Wall or ceiling above a 4 inch junction box.

## Catalog String

Fixture Core

VCY

1

2

3

4

UNIV

5

Aesthetics & Options

6

7

8

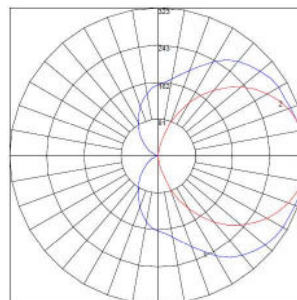
## Product Specifications

1 — Product Code	2 — Trim	3 — Wattage	4 — Dimming	5 — Voltage
<b>12</b> - VCY 12	<b>STD</b> (blank)	<b>L4.5</b> (12"/LT only)	<b>L23.2</b> (36"/TE/ZE only)	<b>ZE</b> - 0-10V
<b>24</b> - VCY 24	<b>DL</b>	<b>L6.0</b> (12"/LT only)	<b>L30.0</b> (36" & ZE only)	<b>LE</b> - Leading Edge
<b>36</b> - VCY 36	<b>UDL</b>	<b>L8.5</b> (12"/LT only)	<b>L36.0</b> (48"/TE/ZE only)	<b>LT</b> - Leading/Trailing Edge
<b>48</b> - VCY 48	<b>ODL</b>	<b>L12.0</b> (24"/LT only)	<b>L41.2</b> (48"/ZE only)	<b>TE</b> - Trailing Edge
	<b>SLT</b>	<b>L18</b> (24"/LT/ZE only)		
		<b>L20.6</b> (24"/ZE only)		

6 — Finish	7 — CCT	8 — Options
<b>FBK</b> - Fine Textured Black	<b>30K</b> - 3000K	<b>90 CRI</b> - Color Rendering Index
<b>FBZ</b> - Fine Textured Bronze	<b>35K</b> - 3500K	<b>F</b> - Fused
<b>FWH</b> - Fine Textured White	<b>40K</b> - 4000K	<b>JBC</b> - 4" x 4" Junction Box Cover
<b>FSV</b> - Fine Textured Silver		<b>TP</b> - Tamper-Proof Screw Set

## Performance

Wattage	Source Lumens	Efficacy LM/W	CCT	Size
L4.5	745.3	165.6	3000K	12
L6.0	869.5	144.9		12
L8.5	993.7	146.1		12
L12.0	1300	108		24
L18	2200	124		24
L20.6	3000	150		24
L23.2	3258	114.7		36
L30.0	4072	110.1		36
L36.0	3972	110.3		48
L41.2	5964	144.8		48



### Polar Graph Details:

**IES File Name:** VCY24-L18.0-100-277V-TE500-XX-30K-

Maximum Candela = 323.34 Located At Horizontal Angle = 0, Vertical Angle = 90

# 1 - Vertical Plane Through Horizontal Angles (0 - 180) (Through Max. Cd.)

# 2 - Horizontal Cone Through Vertical Angle (90) (Through Max. Cd.)

# Trims



**Viceroy STD**



**Viceroy DL**



**Viceroy ODL**



**Viceroy SLT**



**Viceroy UDL**