



The epitome of architectural brilliance combined with advanced illumination. Its sleek, linear profile effortlessly suits both modern and classic designs. Versatile for both vertical and horizontal placements, it's ideal for commercial spaces and upscale residences alike. Whether illuminating a contemporary office or enhancing a home's entrance, the Viceroy blends aesthetics with top-notch performance, making it a go-to choice for discerning architects.

LED Engine

- Color Temp (CCT):** 3000K, 3500K, 4000K
- CRI:** 80+ (consult factory for 90+)
- Life Expectancy:** L70 rated at 50,000+ hours
- Binning:** 3-step Macadam
- Output:** Min 745.3 Source Lumens
Max 5964 Source Lumens

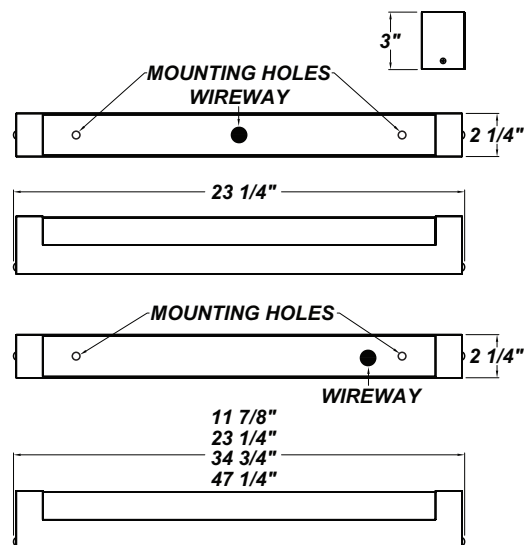
Driver

- Type:** Constant current, Class 2, 120-277 Vac, 50/60Hz
- Dimming:** 0-10V and phase (trailing edge)
- Efficiency:** Min 92%
- Operating Temp:** -40°C / -40°F to 50°C / 122°F
- FCC Noise:** Meets FCC Title 47 EMC Part 15 limits

Certifications

- Location Listing:** Damp Location Rated for Wall or Ceiling Mounting
- Other:** ADA Compliant
Buy America Compliant

Dimensions



Construction

Mounting Plate: Die-formed steel. **Housing:** die-formed steel with clear acrylic lens and white inner diffuser. **Finish:** high quality polyester powder coating, various finishes. **Mounting:** Wall or ceiling above a 4 inch junction box.

Catalog String

Fixture Core

VCY

1

2

3

4

UNIV

5

Aesthetics & Options

6

7

8

Product Specifications

1 — Product Code	2 — Trim	3 — Wattage	4 — Dimming	5 — Voltage
12 - VCY12	STD (blank)	L4.5 (12"/LT only)	L23.2 (36"/TE/ZE only)	ZE - 0-10V
24 - VCY24	DL	L6.0 (12"/LT only)	L30.0 (36" & ZE only)	LE - Leading Edge
36 - VCY36	UDL	L8.5 (12"/LT only)	L36.0 (48"/TE/ZE only)	LT - Leading/Trailing Edge
48 - VCY48	ODL	L12.0 (24"/LT only)	L41.2 (48"/ZE only)	TE - Trailing Edge
	SLT	L18 (24"/LT/ZE only)		
		L20.6 (24"/ZE only)		

6 — Finish

FBK - Fine Textured Black
FBZ - Fine Textured Bronze
FWH - Fine Textured White
FSV - Fine Textured Silver

7 — CCT

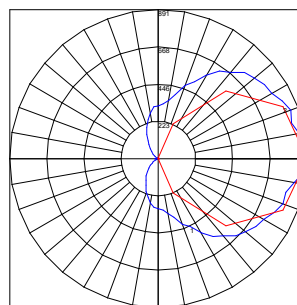
30K - 3000K
35K - 3500K
40K - 4000K

8 — Options

90 CRI - Color Rendering Index
F - Fused
JBC - 4" x 4" Junction Box Cover
TP - Tamper-Proof Screw Set

Performance

Wattage	Source Lumens	Efficacy LM/W	CCT	Size
L4.5	745.3	165.6	3000K	12
L6.0	869.5	144.9		12
L8.5	993.7	146.1		12
L12.0	1300	108		24
L18	2200	124		24
L20.6	3000	150		24
L23.2	3258	114.7		36
L30.0	4072	110.1		36
L36.0	3972	110.3		48
L41.2	5964	144.8		48



Polar Graph Details:

IES File Name: VICEROY LG LED 2FT 20.1W STANDARD 3000K.IES

Maximum Candela = 470 Located At Horizontal Angle = 0, Vertical Angle = 85

1 - Vertical Plane Through Horizontal Angles (0 - 180) (Through Max. Cd.)

2 - Horizontal Cone Through Vertical Angle (85) (Through Max. Cd.)

Trims



Viceroy STD



Viceroy DL



Viceroy ODL



Viceroy SLT



Viceroy UDL