

Turnberry Mini

Architectural Indoor



Specifically tailored for the demands of commercial and retail corridors, the Turnberry Mini LED stands as a beacon of sophistication and practicality. Its streamlined design emits a purposeful glow, perfectly illuminating hallways and passages while minimizing glare. The balanced luminance ensures that retail products and architectural details are showcased effectively, creating inviting and navigable spaces. For businesses seeking to make a lasting impression on visitors and clients alike, the Turnberry Mini LED is the optimal choice for corridor and hallway lighting.

LED Engine

Color Temp (CCT): 3000K, 3500K, 4000K
CRI: 80+ (consult factory for 90+)
Life Expectancy: L70 rated at 50,000+ hours
Binning: 3-step Macadam
Output: 1535 Source Lumens

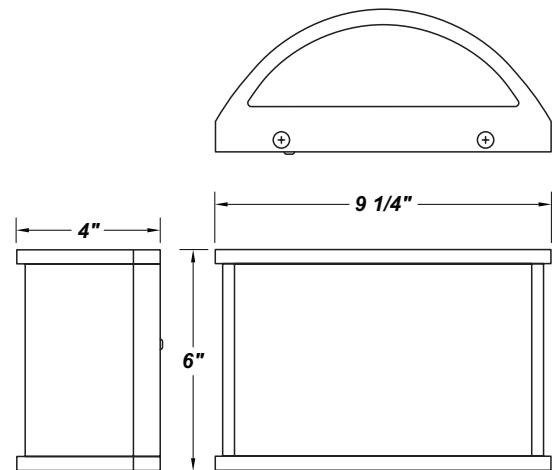
Driver

Type: Constant current, Class 2, 120-277 Vac, 50/60Hz
Dimming: Phase (Leading or Trailing Edge)
Efficiency: Min 92%
Operating Temp: -40°C / -40°F to 50°C / 122°F
FCC Noise: Meets FCC Title 47 EMC Part 15 limits

Certifications

Location Listing: Damp Location Rated for Wall Mounting
Other: ADA Compliant
Buy America Compliant

Dimensions



Construction

Mounting Plate: Die-formed aluminum. **End Caps:** Die-cast aluminum with recessed screws. **Diffuser:** impact-resistant white luminous acrylic diffuser. **Finish:** high quality polyester powder coating, various finishes. **Hardware:** stainless steel. **Mounting:** wall-mounted over a 4-inch junction box.



Turnberry Mini

Architectural Indoor



Catalog String

Fixture Core

TRM

1

2

3

4

UNIV

5

Aesthetics & Options

6

7

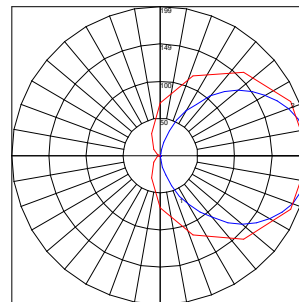
8

Product Specifications

1 — Product Code	2 — Trim	3 — Wattage	4 — Dimming	5 — Voltage
TRM	Not Applicable	L10.0	LT - Leading/Trailing Edge	UNIV - (120V-277V)
6 — Finish	7 — CCT	8 — Options		
FBK - Fine Textured Black FBZ - Fine Textured Bronze FWH - Fine Textured White FSV - Fine Textured Silver	30K - 3000K 35K - 3500K 40K - 4000K	F - Fused OEL - Single End Window TEL - Twin End Windows (Both Ends) TP - Tamper Resistant Screws		

Performance

Wattage	Source Lumens	Efficacy LM/W	CCT
L10.0	1536	154	3000K



Polar Graph Details:

IES File Name: TURNBERRY MINI L12.3 TW 30K.IES

Maximum Candela = 199 Located At Horizontal Angle = 0, Vertical Angle = 80

1 - Vertical Plane Through Horizontal Angles (0 - 180) (Through Max. Cd.)

2 - Horizontal Cone Through Vertical Angle (80) (Through Max. Cd.)

