



Masterfully crafted for large-scale outdoor wall illumination, Triton stands as a beacon of unmatched brilliance. Optimally designed for multifamily residences, expansive commercial and retail facades, corridors, strip malls, and bustling shopping centers, its potent lighting capability enhances every architectural detail. Whether illuminating the expansive facade of a shopping complex or casting a uniform glow in commercial corridors, Triton ensures visibility, safety, and aesthetic excellence. For projects that demand both grandeur and precision in lighting, Triton is the undisputed choice.

LED Engine

- Color Temp (CCT):** 3000K, 3500K, 4000K
- CRI:** 80+ (consult factory for 90+)
- Life Expectancy:** L70 rated at 50,000+ hours
- Binning:** 3-step Macadam
- Output:** Min 3072 Delivered Lumens
Max 3898 Delivered Lumens

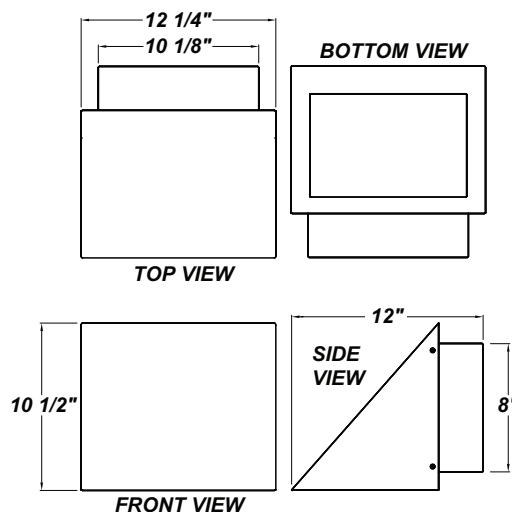
Driver

- Type:** Constant current, Class 2, 120-277 Vac, 50/60Hz
- Dimming:** 0-10V
- Efficiency:** Min 92%
- Operating Temp:** -40°C / -40°F to 50°C / 122°F
- FCC Noise:** Meets FCC Title 47 EMC Part 15 limits

Certifications

- Location Listing:** Wet Location Rated for Wall Mounting
- Other:** Buy America Compliant

Dimensions



Construction

Housing: die-formed aluminum with frosted white acrylic diffuser. **Mounting Plate:** die-formed aluminum. **Finish:** high quality polyester powder coating, various finishes. **Hardware:** stainless steel. **Mounting:** Wall-mounted over a 4-inch junction box.

Catalog String

Fixture Core

TTN

1

2

3

4

UNIV

5

Aesthetics & Options

6

7

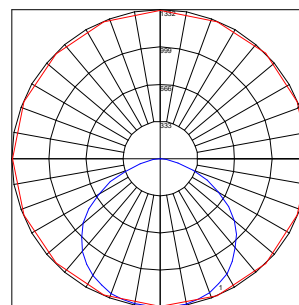
8

Product Specifications

1 — Product Code	2 — Trim	3 — Wattage	4 — Dimming	5 — Voltage
TTN	Not Applicable	L25.0 L35.0	ZE - 0-10V	UNIV - (120V-277V)
6 — Finish	7 — CCT	8 — Options		
FBK - Fine Textured Black FBZ - Fine Textured Bronze FWH - Fine Textured White FSV - Fine Textured Silver	30K - 3000K 35K - 3500K 40K - 4000K	EB - Integral EM Battery EBCA - Title 20 Compliant Integral EM Battery F - Fused	PCL - Photocell (<i>specify voltage</i>) SPD - Surge Protection Device TP - Tamper Resistant Screws	

Performance

Wattage	Source Lumens	Efficacy LM/W	CCT
L25.0	3072	122.9	3000K
L35.0	3898	54.2	



Polar Graph Details:

IES File Name: TRITON LED 35.0 51K. IES

Maximum Candela = 1332 Located At Horizontal Angle = 45, Vertical Angle = 5

1 - Vertical Plane Through Horizontal Angles (45 - 225) (Through Max. Cd.)

2 - Horizontal Cone Through Vertical Angle (5) (Through Max. Cd.)

BUG Rating: B2-U0-G0