



Masterfully crafted for large-scale outdoor wall illumination, Triton stands as a beacon of unmatched brilliance. Optimally designed for multifamily residences, expansive commercial and retail facades, corridors, strip malls, and bustling shopping centers, its potent lighting capability enhances every architectural detail. Whether illuminating the expansive facade of a shopping complex or casting a uniform glow in commercial corridors, Triton ensures visibility, safety, and aesthetic excellence. For projects that demand both grandeur and precision in lighting, Triton is the undisputed choice.

## LED Engine

**Color Temp (CCT):** 3000K, 3500K, 4000K

**CRI:** 80+ (consult factory for 90+)

**Life Expectancy:** L70 rated at 50,000+ hours

**Binning:** 3-step Macadam

**Output:** Min 3072 Delivered Lumens  
Max 3898 Delivered Lumens

## Driver

**Type:** Constant current, Class 2, 120-277 Vac, 50/60Hz

**Dimming:** 0-10V

**Efficiency:** Min 92%

**Operating Temp:** -40°C / -40°F to 50°C / 122°F

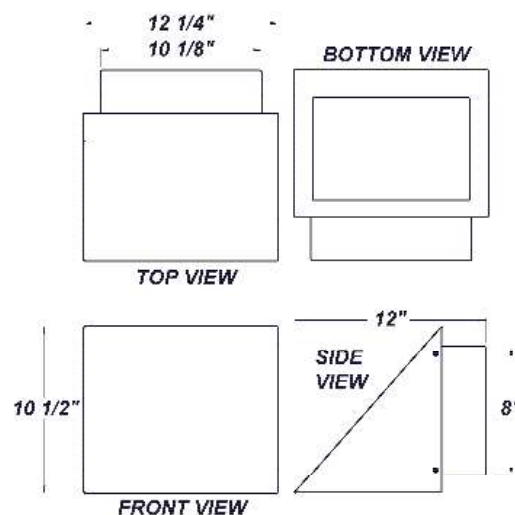
**FCC Noise:** Meets FCC Title 47 EMC Part 15 limits

## Certifications

**Location Listing:** Wet Location Rated for Wall Mounting

**Other:** Buy America Compliant

## Dimensions



## Construction

**Housing:** die-formed aluminum with clear tempered glass lens over aluminum reflector. **Mounting Plate:** die-formed aluminum. **Finish:** high quality polyester powder coating, various finishes. **Hardware:** stainless steel. **Mounting:** Wall-mounted over a 4-inch junction box.

## Catalog String

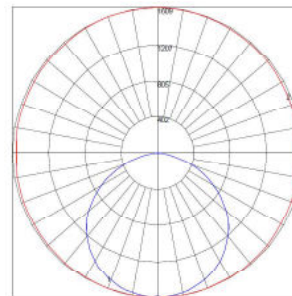
<b>Fixture Core</b>	<b>TTN</b> 1	2	3	4	<b>UNIV</b> 5
<b>Aesthetics &amp; Options</b>	6	7	8		

## Product Specifications

<b>1 — Product Code</b>	<b>2 — Trim</b>	<b>3 — Wattage</b>	<b>4 — Dimming</b>	<b>5 — Voltage</b>
TTN	Not Applicable	L25.0 L35.0	ZE - 0-10V	UNIV - (120V-277V)
<b>6 — Finish</b>	<b>7 — CCT</b>	<b>8 — Options</b>		
<b>FBK</b> - Fine Textured Black <b>FBZ</b> - Fine Textured Bronze <b>FWH</b> - Fine Textured White <b>FSV</b> - Fine Textured Silver	<b>30K</b> - 3000K <b>35K</b> - 3500K <b>40K</b> - 4000K	<b>EB</b> - Integral EM Battery <b>EBCA</b> - Title 20 Compliant Integral EM Battery <b>F</b> - Fused <b>PCL</b> - Photocell ( <i>specify voltage</i> ) <b>SPD</b> - Surge Protection Device <b>TP</b> - Tamper Resistant Screws		

## Performance

Wattage	Delivered Lumens	Efficacy LM/W	CCT
L25.0	3016	84	3000K
L35.0	4455	104	



### Polar Graph Details:

**IES File Name:** TTN-L35.0-ZE-UNV-XX-40K

Maximum Candela = 1609 Located At Horizontal Angle = 90, Vertical Angle = 2.5

# 1 - Vertical Plane Through Horizontal Angles (90-270) (Through Max. Cd.)

# 2 - Horizontal Cone Through Vertical Angle (2.5) (Through Max. Cd.)

BUG Rating: B2-U0-G0