



Embracing the essence of minimalistic design with timeless elegance, Royal stands as a paragon of refined illumination. Its subtle lines and classic demeanor make it an impeccable choice for multifamily settings, from welcoming entryways to general corridor lighting. Beyond residential applications, its universal appeal also finds a place in retail environments, enhancing spaces with its understated brilliance. For those who value a harmonious blend of simplicity and sophistication in their lighting choices, Royal emerges as an unparalleled selection.

LED Engine

- Color Temp (CCT):** 3000K, 3500K, 4000K
- CRI:** 80+ (consult factory for 90+)
- Life Expectancy:** L70 rated at 50,000+ hours
- Binning:** 3-step Macadam
- Output:** 3585 Source Lumens

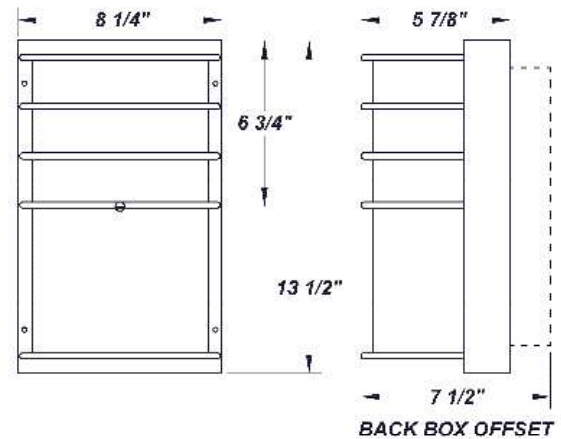
Driver

- Type:** Constant current, Class 2, 120-277 Vac, 50/60Hz
- Dimming:** 0-10V and phase (trailing edge)
- Efficiency:** Min 92%
- Operating Temp:** -40°C / -40°F to 50°C / 122°F
- FCC Noise:** Meets FCC Title 47 EMC Part 15 limits

Certifications

- Location Listing:** Wet Location Rated for Wall Mounting
- Other:** Buy America Compliant

Dimensions



Construction

Mounting Pan: Die-formed steel with Hi-Reflectance white powder coating. **Trim:** formed steel with impact resistant, luminous white acrylic diffuser. **Finish:** high quality polyester powder coating, various finishes. **Hardware:** Stainless steel. **Mounting:** Wall-mounted above a 4 inch junction box.

Catalog String

Fixture Core

RL

1

2

3

4

UNIV

5

Aesthetics & Options

6

7

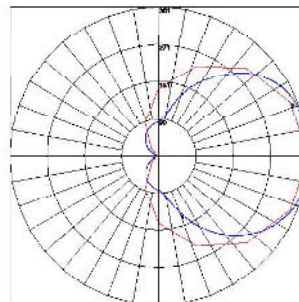
8

Product Specifications

1 — Product Code	2 — Trim	3 — Wattage	4 — Dimming	5 — Voltage
RL	STD (Blank) FLD SQR TEB TWB VHT	L15.0 (TE only) L18.0	ZE - 0-10V Dimming TE - Trailing Edge	UNIV - (120V-277V)
6 — Finish	7 — CCT	8 — Options		
FBK - Fine Textured Black FBZ - Fine Textured Bronze FWH - Fine Textured White FSV - Fine Textured Silver	30K - 3000K 35K - 3500K 40K - 4000K	F - Fused TP - Tamper Resistance Screws SPD - Surge Protection Device		

Performance

Wattage	Source Lumens	Efficacy LM/W	CCT
L15.0	2048	136.5	3000K
L18.0	2390	132.8	



Polar Graph Details:

IES File Name: RL-L18.0-ZE700-UNIV-XX-40K.IES

Maximum Candela = 361.3 Located At Horizontal Angle = 0, Vertical Angle = 102.5

1 - Vertical Plane Through Horizontal Angles (0 - 180) (Through Max. Cd.)

2 - Horizontal Cone Through Vertical Angle (102.5) (Through Max. Cd.)

BUG Rating: B0-U4-G2

Trims



Royal STD (*Blank*)



Royal FLD



Royal SQR



Royal TEB



Royal TWB



Royal VHT