



Embracing the essence of minimalistic design with timeless elegance, Royal stands as a paragon of refined illumination. Its subtle lines and classic demeanor make it an impeccable choice for multifamily settings, from welcoming entryways to general corridor lighting. Beyond residential applications, its universal appeal also finds a place in retail environments, enhancing spaces with its understated brilliance. For those who value a harmonious blend of simplicity and sophistication in their lighting choices, Royal emerges as an unparalleled selection.

## LED Engine

- Color Temp (CCT):** 3000K, 3500K, 4000K
- CRI:** 80+ (consult factory for 90+)
- Life Expectancy:** L70 rated at 50,000+ hours
- Binning:** 3-step Macadam
- Output:** 3585 Source Lumens

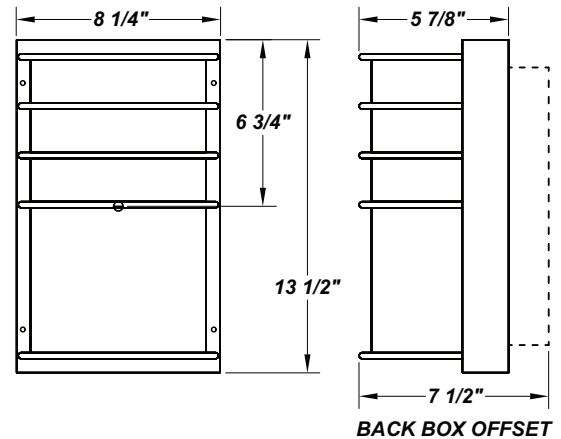
## Driver

- Type:** Constant current, Class 2, 120-277 Vac, 50/60Hz
- Dimming:** 0-10V and phase (trailing edge)
- Efficiency:** Min 92%
- Operating Temp:** -40°C / -40°F to 50°C / 122°F
- FCC Noise:** Meets FCC Title 47 EMC Part 15 limits

## Certifications

- Location Listing:** Wet Location Rated for Wall Mounting
- Other:** Buy America Compliant

## Dimensions



## Construction

**Mounting Pan:** Die-formed steel with with Hi-Reflectance white powder coating. **Trim:** formed steel with impact resistant, luminous white acrylic diffuser. **Finish:** high quality polyester powder coating, various finishes. **Hardware:** Stainless steel. **Mounting:** Wall-mounted above a 4 inch junction box.

## Catalog String

### Fixture Core

RL

1

2

3

4

UNIV

5

### Aesthetics & Options

6

7

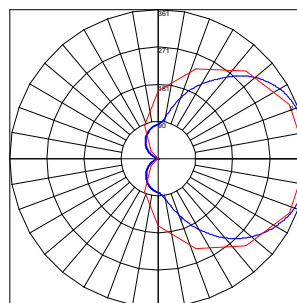
8

## Product Specifications

1 — Product Code	2 — Trim	3 — Wattage	4 — Dimming	5 — Voltage
RL	<b>STD</b> (Blank) <b>FLD</b> <b>SQR</b> <b>TEB</b> <b>TWB</b> <b>VHT</b>	<b>L15.0</b> (TE only) <b>L18.0</b>	<b>ZE</b> - 0-10V Dimming <b>TE</b> - Trailing Edge	<b>UNIV</b> - (120V-277V)
6 — Finish	7 — CCT	8 — Options		
<b>FBK</b> - Fine Textured Black <b>FBZ</b> - Fine Textured Bronze <b>FWH</b> - Fine Textured White <b>FSV</b> - Fine Textured Silver	<b>30K</b> - 3000K <b>35K</b> - 3500K <b>40K</b> - 4000K	<b>F</b> - Fused <b>TP</b> - Tamper Resistance Screws <b>SPD</b> - Surge Protection Device		

## Performance

Wattage	Source Lumens	Efficacy LM/W	CCT
L15.0	2048	136.5	3000K
L18.0	2390	132.8	



### Polar Graph Details:

**IES File Name:** RL-L18.0-ZE700-UNIV-XX-40K.IES

Maximum Candela = 361.3 Located At Horizontal Angle = 0, Vertical Angle = 102.5

# 1 - Vertical Plane Through Horizontal Angles (0 - 180) (Through Max. Cd.)

# 2 - Horizontal Cone Through Vertical Angle (102.5) (Through Max. Cd.)

BUG Rating: B0-U4-G2

# Trims



**Royal STD** (*Blank*)



**Royal FLD**



**Royal SQR**



**Royal TEB**



**Royal TWB**



**Royal VHT**