

# Nike Surface

Architectural Indoor



The staple of versatile illumination, Nike Surface seamlessly integrates into a myriad of settings. As a general-use, wall-mounted sconce, it excels in casting an even and consistent glow, ensuring every space it graces is perfectly lit. From the intimate corners of multifamily residences to the bustling corridors of offices, its understated elegance and reliable performance make it a sought-after lighting solution. With a design that marries simplicity with efficiency, Nike Surface is the embodiment of lighting done right for diverse environments.

## LED Engine

- Color Temp (CCT):** 3000K, 3500K, 4000K
- CRI:** 80+ (consult factory for 90+)
- Life Expectancy:** L70 rated at 50,000+ hours
- Binning:** 3-step Macadam
- Output:** 1158 Source Lumens

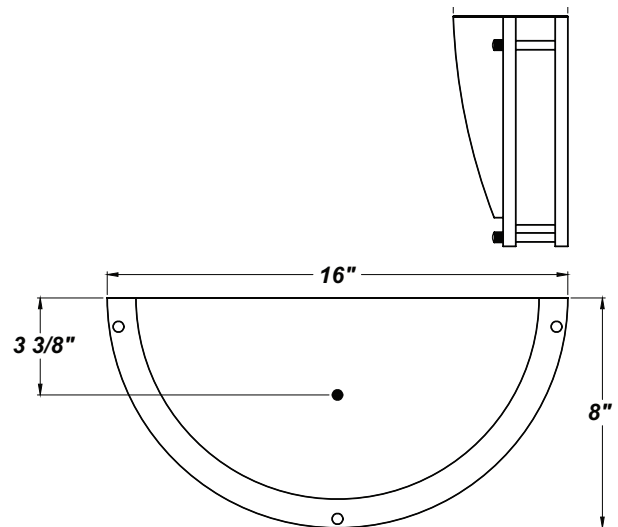
## Driver

- Type:** Constant current, Class 2, 120-277 Vac, 50/60Hz
- Dimming:** Phase (Leading or Trailing Edge)
- Efficiency:** Min 92%
- Operating Temp:** -40°C / -40°F to 50°C / 122°F
- FCC Noise:** Meets FCC Title 47 EMC Part 15 limits

## Certifications

- Location Listing:** Damp Location Rated for Wall and Ceiling Mounting
- Other:** ADA Compliant

## Dimensions



## Construction

**Mounting Pan:** die-formed steel with high reflectance white finish. **Trim:** brushed nickel plated formed steel with white luminous acrylic diffuser. **Finish:** high quality polyester powder coating, various finishes. **Mounting:** ceiling-mounted over a 4-inch junction box.



# Nike Surface

Architectural Indoor



## Catalog String

<b>Fixture Core</b>	<b>NES</b> 1	2	3	4	<b>UNIV</b> 5
<b>Aesthetics &amp; Options</b>	6	7	8		

## Product Specifications

<b>1 — Product Code</b> NES	<b>2 — Trim</b> STD ( <i>Blank</i> )	<b>3 — Wattage</b> L10.5	<b>4 — Dimming</b> LT - Leading & Trailing Edge (120V Only)	<b>5 — Voltage</b> UNIV - (120V-277V)
<b>6 — Finish</b> FBK - Fine Textured Black FBZ - Fine Textured Bronze FWH - Fine Textured White FSV - Fine Textured Silver STD - Brushed Nickel Plated	<b>7 — CCT</b> 30K - 3000K 35K - 3500K 40K - 4000K	<b>8 — Options</b> F - Fused		

## Performance

Wattage	Source Lumens	Efficacy LM/W	CCT
L10.5	1158	58	3000K

