

# Nike Ceiling

Architectural Indoor



As a paragon of balanced illumination, Nike Ceiling stands out with its unmatched prowess as a general-purpose ceiling sconce. Designed to cast a consistent and even glow, it transforms spaces with its harmonious light. Whether brightening up office spaces with its dependable luminosity or adding warmth to multifamily dwellings, its adaptability is evident. Meticulously crafted to meet diverse lighting needs, Nike Ceiling is the embodiment of sophistication and efficiency, making it an ideal choice for a range of interiors.

## LED Engine

- Color Temp (CCT):** 3000K, 3500K, 4000K
- CRI:** 80+ (consult factory for 90+)
- Life Expectancy:** L70 rated at 50,000+ hours
- Binning:** 3-step Macadam
- Output:** Min 2100 Source Lumens  
Max 5100 Source Lumens

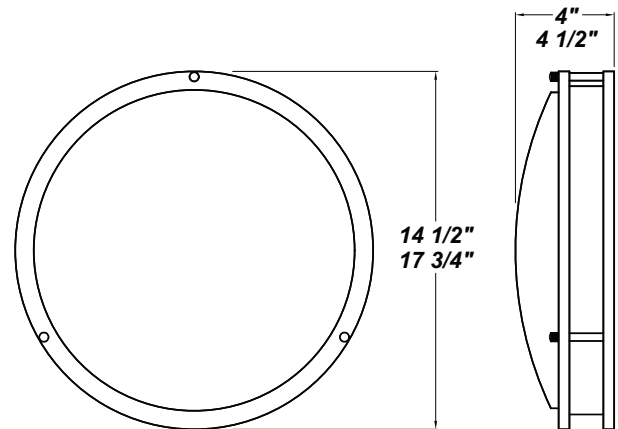
## Driver

- Type:** Constant current, Class 2, 120-277 Vac, 50/60Hz
- Dimming:** 0-10V
- Efficiency:** Min 92%
- Operating Temp:** -40°C / -40°F to 50°C / 122°F
- FCC Noise:** Meets FCC Title 47 EMC Part 15 limits

## Certifications

- Location Listing:** Damp Location Rated for Wall and Ceiling Mounting
- Other:** ADA Compliant

## Dimensions



## Construction

**Mounting Pan:** die-formed steel with high reflectance white finish. **Trim:** brushed nickel plated formed steel with white luminous acrylic diffuser. **Finish:** high quality polyester powder coating, various finishes. **Mounting:** ceiling-mounted over a 4-inch junction box.



## Catalog String

Fixture Core

NEC

1

2

3

ZE

4

UNIV

5

Aesthetics & Options

6

7

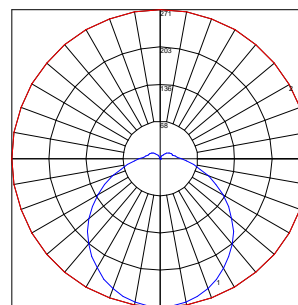
8

## Product Specifications

1 — Product Code	2 — Trim	3 — Wattage	4 — Dimming	5 — Voltage
12 - NEC12 14 - NEC14 18 - NEC18	Not Applicable	L13.5 (12/14 only) L17.0 (14 only) L20.5 (14 only) L21.0 (18 only) L28.5 (18 only) L37.5 (18 only)	ZE - 0-10V	UNIV - (120V-277V)
6 — Finish	7 — CCT	8 — Options		
FBK - Fine Textured Black FBZ - Fine Textured Bronze FWH - Fine Textured White FSV - Fine Textured Silver STD - Brushed Nickel Plated	30K - 3000K 35K - 3500K 40K - 4000K	AC3-WH - 3 Wire Aircraft Cable Suspension AC4-WH - 4 Wire Aircraft Cable Suspension F - Fused WLL - High Lumen Lens (18" only)	STC12-WH - 12" Stem and Canopy Kit STC24-WH - 24" Stem and Canopy Kit STC36-WH - 36" Stem and Canopy Kit STC36-WH - 36" Stem and Canopy Kit	

## Performance

Wattage	Source Lumens	Efficacy LM/W	CCT	Size
L13.5	2100	156	3000K	14
L17.0	2650	156		14
L20.5	3100	151		14
L21.0	3100	148		18
L28.5	4100	144		18
L37.5	5100	162		18



### Polar Graph Details:

**IES File Name:** NEC12-L13.0 ZE560-30K.IES

Maximum Candela = 271 Located At Horizontal Angle = 0, Vertical Angle = 0

# 1 - Vertical Plane Through Horizontal Angles (0 - 180) (Through Max. Cd.)

# 2 - Horizontal Cone Through Vertical Angle (0) (Through Max. Cd.)