

MYSTERE U&D LED

Architectural Outdoor



PROJECT:	
TYPE:	
PO#:	QTY:
COMMENTS:	

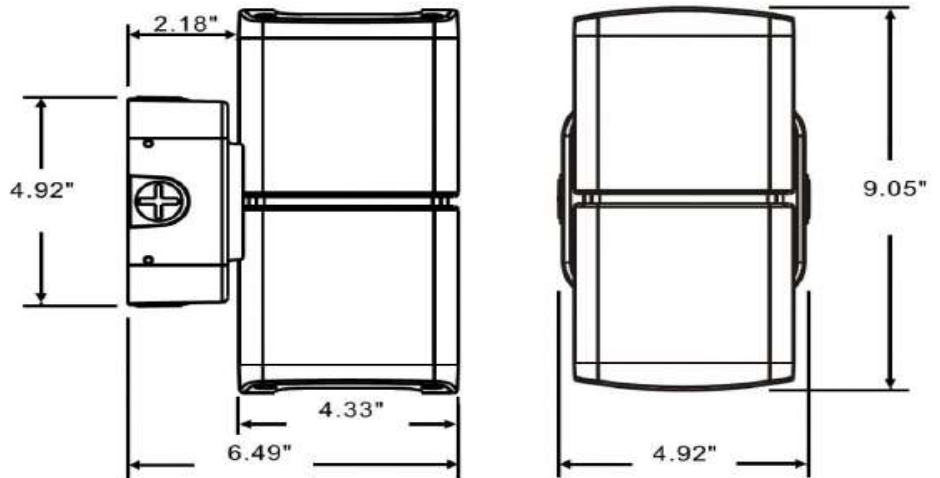
FEATURES

- Aluminum Die Cast Housing w/ Standard Bronze Powder Coat Finish
- Constant Current, Dimmable LE and TE
- CSA Listed Wet Location For Wall Mount Only
- Four 0.75in Threaded Side Conduit Entry Points
- Partial Frosted with Clear Center Glass Outer Diffusers
- IES File Available
- LED Light Fixture
- Mounting Hardware Included
- Up and Down Lighting

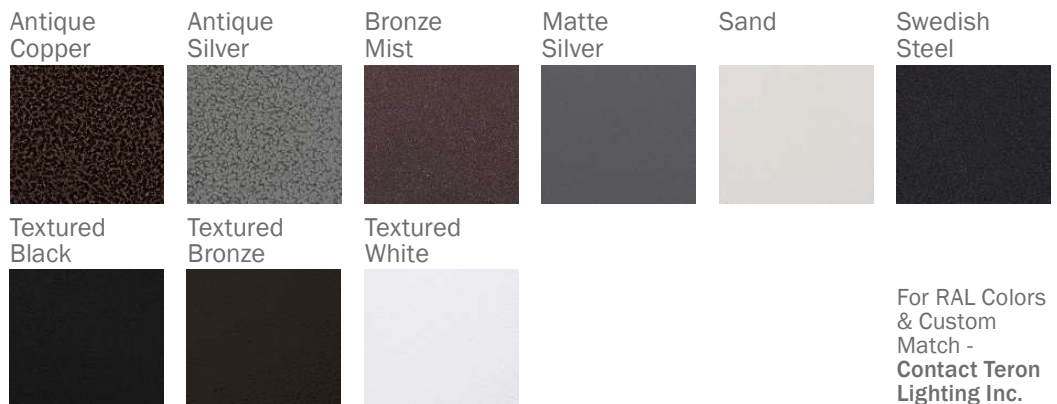


LINE DRAWING

LINE DRAWING NOT TO SCALE



FINISHES



For RAL Colors & Custom Match - Contact Teron Lighting Inc.

MYSTERE U/D LED

Architectural Outdoor



Fixture Core

PROJECT:	
TYPE:	
PO#:	QTY:
COMMENTS:	

PRODUCT CODE	SOURCE/WATTAGE	VOLTAGE	DIMMING DRIVER
MYSUD - Mystere Up & Down Budget Friendly LED	L26.0-LT700 - 700mA ELV Low Voltage 2-Wire Dimming Electronic Driver (Leading or Trailing Edge) L30.4-LT700 - 700mA ELV Low Voltage 2-Wire Dimming Electronic Driver (Leading or Trailing Edge)	120 - 277V (50 / 60Hz)	Leading and Trailing edge Dimmable (120V Only)
ORDER INFO			
MYSUD	L26.0-LT700	120 - 277V	Not Applicable

Example ^ (may not represent a manufacturable product)

Aesthetics & Options

TRIM	FINISH	COLOR TEMP	OPTIONS
Not Applicable	AC - Antique Copper TB - Textured Black AS - Antique Silver BT - Bronze Mist BZ - Textured Bronze SM - Matte Silver (Standard) SN - Sand TW - Textured White SW - Swedish Steel	30K - 3000K Color Temp 35K - 3500K Color Temp 40K - 4000K Color Temp	SPD - Surge Protection Device
ORDER INFO			
Not Applicable	AC	30K	Not Applicable

Example ^ (may not represent a manufacturable product)

PROD	SOURCE	30K SPECS			
MYSUD	L26.0	<ul style="list-style-type: none"> 30K - 3000K Color Temp 1757 LED Source Lumens up 1757 LED Source Lumens Down 135.15 LED Source Lumens Per Watt 			
	L30.4	<ul style="list-style-type: none"> 30K - 3000K Color Temp 2040 LED Source Lumens up 2040 LED Source Lumens Down 134.2 LED Source Lumens Per Watt 			

REPLACEMENT PART	PART NO	NOTES
		Don't see the configuration you are looking for? Call us today at (513) 858-6004



TERONLIGHTING.COM
 33 DONALD DR, FAIRFIELD, OH 45014
 P: 513.858.6004 F: 513.858.6038
 E: SALES@TERONLIGHT.COM



We reserve the right to revise the design components of any product due to parts availability or change in UL standards, without assuming any obligation or liability to modify any products previously manufactured, and without notice.

SEND CUT-SHEET