

Guardian

Architectural Outdoor



Guardian gracefully assumes its role as an indispensable outdoor wall sconce, catering to a myriad of settings. Perfectly designed for multifamily entryways, its radiant glow welcomes residents and guests alike. Its versatile nature also finds a home at strip malls, shopping centers, and office buildings, flanking front doors to provide a symmetrical and elegant illumination. Beyond these, healthcare facilities and hospitality venues benefit from Guardian's harmonious blend of form and function. In every application, it offers a consistent promise of reliability, aesthetics, and a warm, inviting ambiance.

LED Engine

Color Temp (CCT): 3000K, 3500K, 4000K
CRI: 80+ (consult factory for 90+)
Life Expectancy: L70 rated at 50,000+ hours
Binning: 3-step Macadam
Output: Min 1739 Source Lumens
Max 10437 Source Lumens

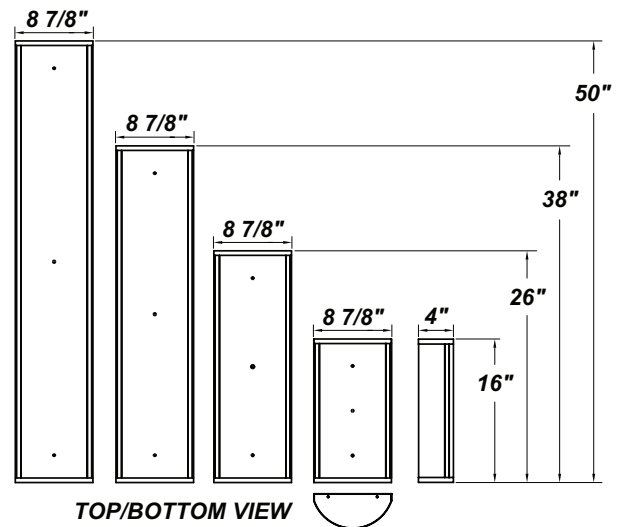
Driver

Type: Constant current, Class 2, 120-277 Vac, 50/60Hz
Dimming: 0-10V and phase (leading or trailing edge)
Efficiency: Min 92%
Operating Temp: -40°C / -40°F to 50°C / 122°F
FCC Noise: Meets FCC Title 47 EMC Part 15 limits

Certifications

Location Listing: Wet Located Rated for Wall Mounting
Other: ADA Compliant
Buy America Compliant

Dimensions



Construction

Mounting Pan: extruded aluminum. **End Caps:** die cast aluminum. **Diffuser:** extruded, high impact white luminous acrylic. **Finish:** high quality polyester powder coating, various finishes. **Hardware:** stainless steel. **Mounting:** wall-mounted over a 4-inch junction box.



Catalog String

Fixture Core	GRDW	<input type="text"/>	<input type="text"/>	<input type="text"/>	<input type="text"/>	<input type="text"/>	UNIV
		1	2	3	4		5
Aesthetics & Options		<input type="text"/>	<input type="text"/>	<input type="text"/>			
		6	7	8			

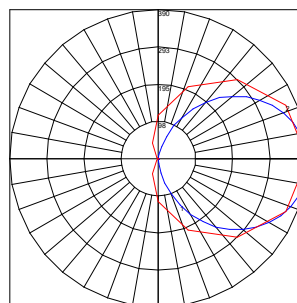
Product Specifications

1 — Product Code	2 — Trim	3 — Wattage	4 — Dimming	5 — Voltage
16 - GRDW16	STD (Blank)	L12.0 - (16, LT/ZE only)	ZE - 0-10V	UNIV - (120V-277V)
24 - GRDW24	CNL SAT	L18.0 - (16/LT/ZE or 24/LE/TE/ZE only)	LE - Leading Edge	
36 - GRDW36	TBS TBT	L36.5 - (24/ZE or 36/ZE only)	LT - Leading/Trailing Edge	
48 - GRDW48	TWB TXT	L49.5 - (24/ZE only)	TE - Trailing Edge	
	VHT	L72.0 - (36/ZE only)		
		L70.0 - (48/ZE only)		

6 — Finish	7 — CCT	8 — Options
FBK - Fine Textured Black	30K - 3000K	EB - Integral EM Battery (<i>Not in 16</i>)
FBZ - Fine Textured Bronze	35K - 3500K	MSI - Integral Motion Sensor
FWH - Fine Textured White	40K - 4000K	OEL - Single End Window
FSV - Fine Textured Silver		SPD - Surge Protection Device
		TEL - Twin End Windows (Both Ends)

Performance

Wattage	Source Lumens	Efficacy LM/W	CCT	Size
L12.0	1739	144.9	3000K	16
L18.0	2711	150.6		16, 24
L36.5	5993	156		24, 36
L49.5	6234	126		24
L72.0	10437	145		36
L70.0	5693	81.3		48



Polar Graph Details:

IES File Name: GRDW-L18.0-TE500-SM-3000K.IES

Maximum Candela = 390 Located At Horizontal Angle = 0, Vertical Angle = 90

1 - Vertical Plane Through Horizontal Angles (0 - 180) (Through Max. Cd.)

2 - Horizontal Cone Through Vertical Angle (90) (Through Max. Cd.)

BUG Rating: B0-U4-G2

Trims



Guardian STD (Blank)



Guardian CNL



Guardian TBS



Guardian TWB



Guardian VHT



Guardian SAT



Guardian TBT



Guardian TXT