

Faldo

Architectural Outdoor



Channeling a craftsman style essence, Faldo stands out as an exemplary outdoor decorative wall-mounted light. Its design pays homage to the time-honored traditions of artisan craftsmanship, seamlessly blending with contemporary demands. Perfectly suited for multifamily settings, its warm and welcoming glow resonates in hospitality environments and commercial spaces alike. Faldo promises not just illumination, but an experience, echoing an artful blend of tradition and modernity in every beam of light it casts. A testament to design where heritage meets today's needs.

LED Engine

- Color Temp (CCT):** 3000K, 3500K, 4000K
- CRI:** 80+ (consult factory for 90+)
- Life Expectancy:** L70 rated at 50,000+ hours
- Binning:** 3-step Macadam
- Output:** Min 2484 Source Lumens
Max 4125 Source Lumens

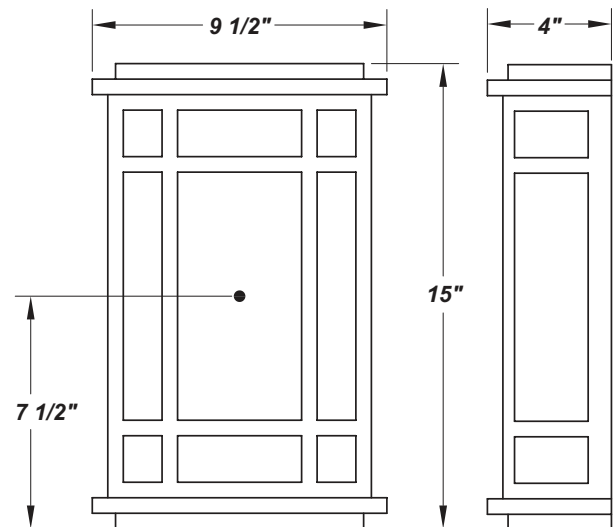
Driver

- Type:** Constant current, Class 2, 120-277 Vac, 50/60Hz
- Dimming:** 0-10V and phase (trailing edge)
- Efficiency:** Min 92%
- Operating Temp:** -40°C / -40°F to 50°C / 122°F
- FCC Noise:** Meets FCC Title 47 EMC Part 15 limits

Certifications

- Location Listing:** Wet Location Rated for Wall Mounting
- Other:** ADA Compliant
Buy America Compliant

Dimensions



Construction

Mounting Pan: formed aluminum. **Trim:** formed aluminum with luminous white acrylic panels. **Finish:** high quality polyester powder coating, various finishes. **Hardware:** stainless steel. **Mounting:** wall-mounted above a 4-inch junction box.



Catalog String

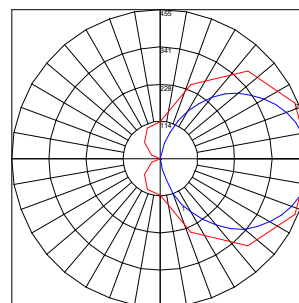
Fixture Core	FL 1	2	3	4	UNIV 5
Aesthetics & Options	6	7	8		

Product Specifications

1 — Product Code	2 — Trim	3 — Wattage	4 — Dimming	5 — Voltage
FL	Not Applicable	L18.0 - (TE only) L37.0 - (ZE only)	ZE - 0-10V TE - Trailing Edge	UNIV - (120V-277V)
6 — Finish	7 — CCT	8 — Options		
FBK - Fine Textured Black FBZ - Fine Textured Bronze FWH - Fine Textured White FSV - Fine Textured Silver	30K - 3000K 35K - 3500K 40K - 4000K	F - Fused TP - Tamper-Proof Screw SPD - Surge Protection Device		

Performance

Wattage	Source Lumens	Efficacy LM/W	CCT
L18.0	2484	138	3000K
L37.0	3835	103.6	



Polar Graph Details:

IES File Name: FALDO LED L37.0-WAL-30K.IES

Maximum Candela = 455 Located At Horizontal Angle = 0, Vertical Angle = 85

1 - Vertical Plane Through Horizontal Angles (0 - 180) (Through Max. Cd.)

2 - Horizontal Cone Through Vertical Angle (85) (Through Max. Cd.)

BUG Rating: B0-U4-G2