



Elegance meets function in the Dunlop decorative vanity light, designed to add a touch of sophistication to any space. Its modern aesthetics coupled with efficient illumination make it a prime choice for hospitality suites, offering guests a luxurious lighting experience. With adaptability in its DNA, Dunlop also seamlessly integrates into multifamily residences, elevating interiors with its contemporary charm. For commercial settings, its style serves as a perfect accent, ensuring spaces are not just illuminated but are also aesthetically enhanced. Dunlop—where design meets brilliance.

LED Engine

- Color Temp (CCT):** 3000K, 3500K, 4000K
- CRI:** 80+ (consult factory for 90+)
- Life Expectancy:** L70 rated at 50,000+ hours
- Binning:** 3-step Macadam
- Output:** Min 1300 Source Lumens
Max 4119 Source Lumens

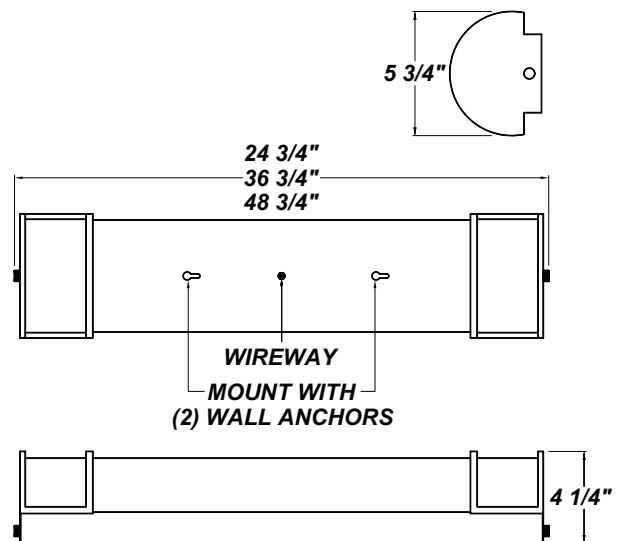
Driver

- Type:** Constant current, Class 2, 120-277 Vac, 50/60Hz
- Dimming:** 0-10V and phase (leading or trailing edge)
- Efficiency:** Min 92%
- Operating Temp:** -40°C / -40°F to 50°C / 122°F
- FCC Noise:** Meets FCC Title 47 EMC Part 15 limits

Certifications

- Location Listing:** Damp Location Rated for Wall Mount
- Other:** N/A

Dimensions



Construction

Housing: formed aluminum with high-reflectance white powder coat finish. **End Caps:** die-formed cold-rolled steel with brushed nickel finish. **Diffuser:** extruded luminous white acrylic. **Finish:** high quality polyester powder coating, various finishes. **Mounting:** wall-mounted over a 4-inch junction box.

Catalog String

Fixture Core	DP	<input type="text"/>	--	<input type="text"/>	<input type="text"/>	<input type="text"/>	UNIV
		1	2	3	4		5
Aesthetics & Options		<input type="text"/>	<input type="text"/>	<input type="text"/>			
		6	7	8			

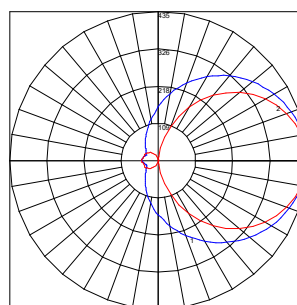
Product Specifications

1 — Product Code	2 — Trim	3 — Wattage	4 — Dimming	5 — Voltage
24 - DP24 36 - DP36 48 - DP48	Not Applicable	L12.0 (24/LT only) L18.0 (24 only) L20.6 (24/ZE only) L23.2 (36 only) L30.0 (36 only) L36.0 (48 only) L41.2 (48 only)	ZE - 0-10V LT - Leading/Trailing Edge	UNIV - (120V-277V)

6 — Finish	7 — CCT	8 — Options
FBK - Fine Textured Black FBZ - Fine Textured Bronze FWH - Fine Textured White FSV - Fine Textured Silver STD - Brushed Nickel Plated	30K - 3000K 35K - 3500K 40K - 4000K	EB - Integral EM Battery F - Fused TP - Tamper Resistant Screws

Performance

Wattage	Source Lumens	Efficacy LM/W	CCT	Size
L12.0	1300	108.3	3000K	24
L18.0	1770	98.3		24
L20.6	2060	100		24
L23.2	2496	107		36
L30.0	3028	101		36
L36.0	3540	98.3		48
L41.2	4119	99.9		48



Polar Graph Details:

IES File Name: DP24-L20.6-ZE600-30K.IES

Maximum Candela = 435 Located At Horizontal Angle = 0, Vertical Angle = 92.5

1 - Vertical Plane Through Horizontal Angles (0 - 180) (Through Max. Cd.)

2 - Horizontal Cone Through Vertical Angle (92.5) (Through Max. Cd.)