

Masterfully crafted for the demanding environment of hospitals, the Dunbar offers optimal illumination for over-bed applications, ensuring both patient comfort and effective task lighting for healthcare professionals. Its thoughtful design also allows it to transition smoothly as a vanity light in multifamily settings, where its sleek lines and efficient output add a touch of contemporary sophistication. Whether in a healthcare facility or a residential space, Dunbar consistently delivers both form and function.

LED Engine

- Color Temp (CCT):** 3000K, 3500K, 4000K
- CRI:** 80+ (consult factory for 90+)
- Life Expectancy:** L70 rated at 50,000+ hours
- Binning:** 3-step Macadam
- Output:** Min 5150 Source Lumens
Max 10301 Source Lumens

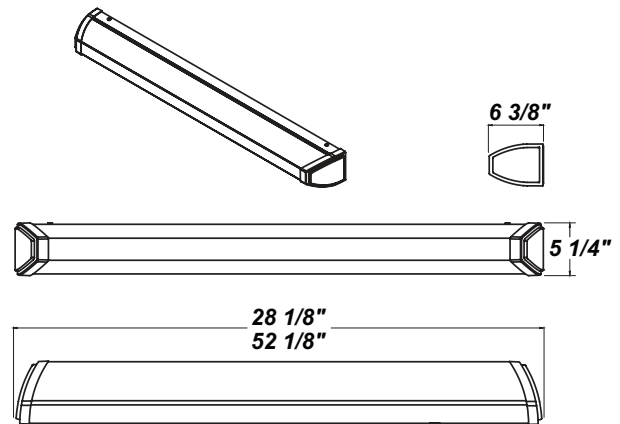
Driver

- Type:** Constant current, Class 2, 120-277 Vac, 50/60Hz
- Dimming:** 0-10V and phase (trailing edge)
- Efficiency:** Min 92%
- Operating Temp:** -40°C / -40°F to 50°C / 122°F
- FCC Noise:** Meets FCC Title 47 EMC Part 15 limits

Certifications

- Location Listing:** Damp Location Rated for Wall Mount
- Other:** Buy America Compliant

Dimensions



Construction

Housing: formed steel with impact resistant white acrylic diffuser. **End Caps:** stamped steel. **Finish:** high quality polyester powder coating, various finishes. **Mounting:** Wall-mounted over a 4-inch junction box.

Catalog String

Fixture Core

DNB

1

2

3

4

UNIV

5

Aesthetics & Options

6

7

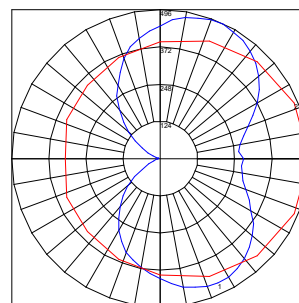
8

Product Specifications

1 — Product Code	2 — Trim	3 — Wattage	4 — Dimming	5 — Voltage
24 - DNB24 48 - DNB48	Not Applicable	L34.7 (24/TE only) L38.3 (24/ZE only) L69.4 (48/ZE only)	ZE - 0-10V TE - Trailing Edge	UNIV - (120V-277V)
6 — Finish	7 — CCT	8 — Options		
SM - Matte Silver WM - Matte White	30K - 3000K 35K - 3500K 40K - 4000K	CO - Convenience Outlet (120V Only) EB - Integral EM Battery (120V or 277V only) F - Fused MSW - Multi-Level Switching 4-Position Switch w/ Pull Chain (120V Only) 2C - 2 Circuit, 2 Drivers (120V and 277V Only)		
		2SW - 2-Position Switch w/ Pull Chain (On-Off) (120V Only) NLT - 9.4W LED Night Light (120V and 277V Only)		

Performance

Wattage	Source Lumens	Efficacy LM/W	CCT	Size
L34.7	5150	114.5	3000K	24
L38.3	5692	126.5		24
L69.4	10301	115.7		48



Polar Graph Details:

IES File Name: DUNBAR-LED-2FT-38.3_REPAIRED.IES

Maximum Candela = 496 Located At Horizontal Angle = 0, Vertical Angle = 155

1 - Vertical Plane Through Horizontal Angles (0 - 180) (Through Max. Cd.)

2 - Horizontal Cone Through Vertical Angle (155) (Through Max. Cd.)