

Cornerstone Mini

Architectural Outdoor



A preferred choice among national accounts, the Cornerstone Mini stands out as a robust outdoor wall sconce. Its popularity spans across both commercial environments and is especially prominent within the hospitality and industrial sectors. Engineered for durability and style, this fixture ensures consistent illumination, making it a reliable choice for various outdoor applications. Its sleek design and high performance make it a cornerstone for any exterior lighting needs.

LED Engine

- Color Temp (CCT):** 3000K, 3500K, 4000K
- CRI:** 80+ (consult factory for 90+)
- Life Expectancy:** L70 rated at 50,000+ hours
- Binning:** 3-step Macadam
- Output:** Min 1264 Source Lumens
Max 2930 Source Lumens

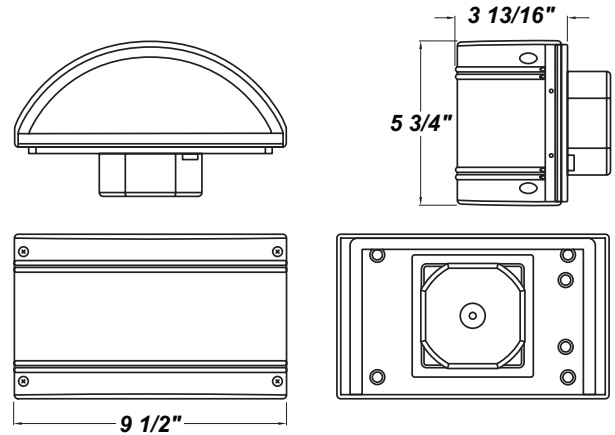
Driver

- Type:** Constant current, Class 2, 120-277 Vac, 50/60Hz
- Dimming:** 0-10V and phase (leading or trailing edge)
- Efficiency:** Min 92%
- Operating Temp:** -40°C / -40°F to 50°C / 122°F
- FCC Noise:** Meets FCC Title 47 EMC Part 15 limits

Certifications

- Location Listing:** Wet Location For Wall Mounting
- Other:** ADA Compliant

Dimensions



Construction

Housing: die-cast aluminum with clear polycarbonate diffusers. **Finish:** high quality polyester powder coating, various finishes. **Hardware:** stainless steel. **Mounting:** wall-mounted over a 4-inch junction box.

Cornerstone Mini

Architectural Outdoor



Catalog String

Fixture Core

CRNM

1

2

3

4

UNIV

5

Aesthetics & Options

6

7

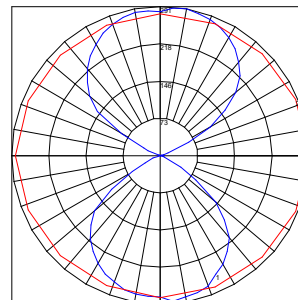
8

Product Specifications

1 — Product Code	2 — Trim	3 — Wattage	4 — Dimming	5 — Voltage
CRNM	DL - (Down Light only) UL - (Up Light only) UDL - (Up and Down only)	L112.3 (UL/DL/12CV only) L114.0 (UL/DL & ZE/LT only) L212.3 (UDL/12CV only) L214.0 (UDL & ZE/LT only)	ZE - 0-10V LT - Leading/Trailing Edge 12CV - 12V Constant Voltage, non-dimming	UNIV - (120V-277V)
6 — Finish	7 — CCT	8 — Options		
FBK - Fine Textured Black FBZ - Fine Textured Bronze FWH - Fine Textured White FSV - Fine Textured Silver	30K - 3000K 35K - 3500K 40K - 4000K	F - Fused FAL - Frosted Acrylic Lens SPD - Surge Protection Device TP - Tamper-Proof Screw Set		

Performance

Wattage	Source Lumens	Efficacy LM/W	CCT
L112.3	1264	66.5	3000K
L114.0	1465	104.6	
L212.3	2528	79	
L214.0	2930	104.6	



Polar Graph Details:

IES File Name: CRNM-L206.5-LT500-TB-30K.IES

Maximum Candela = 291 Located At Horizontal Angle = 0, Vertical Angle = 170

1 - Vertical Plane Through Horizontal Angles (0 - 180) (Through Max. Cd.)

2 - Horizontal Cone Through Vertical Angle (170) (Through Max. Cd.)

BUG Rating: B1-U0-G0

