

Cornerstone

Architectural Outdoor



A top pick among national accounts, the Cornerstone is a reliable and sturdy outdoor wall sconce. Its widespread acclaim is notable within both hospitality and industrial realms. Crafted for resilience and aesthetic appeal, this fixture guarantees uniform lighting, serving as an excellent choice for varied outdoor requirements. Its modern design combined with impeccable functionality positions it as a foundational piece for external lighting needs.

LED Engine

- Color Temp (CCT):** 3000K, 3500K, 4000K
- CRI:** 80+ (consult factory for 90+)
- Life Expectancy:** L70 rated at 50,000+ hours
- Binning:** 3-step Macadam
- Output:** Min 1206 Delivered Lumens
Max 5057 Delivered Lumens

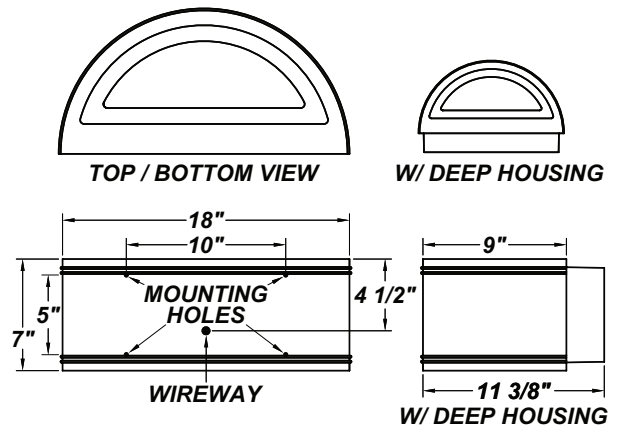
Driver

- Type:** Constant current, Class 2, 120-277 Vac, 50/60Hz
- Dimming:** 0-10V
- Efficiency:** Min 92%
- Operating Temp:** -40°C / -40°F to 50°C / 122°F
- FCC Noise:** Meets FCC Title 47 EMC Part 15 limits

Certifications

- Location Listing:** Wet Location Rated for Wall Mounting
- Other:** N/A

Dimensions



Construction

Housing: die-cast aluminum with clear tempered glass diffusers. **Finish:** high quality polyester powder coating, various finishes. **Hardware:** stainless steel. **Mounting:** wall-mounted over a 4-inch junction box.



Catalog String

Fixture Core

CRNW

1

2

3

4

UNIV

5

Aesthetics & Options

6

7

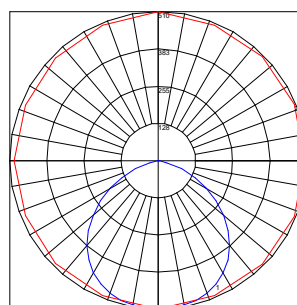
8

Product Specifications

1 — Product Code	2 — Trim	3 — Wattage	4 — Dimming	5 — Voltage
CRNW	DL - (Down Light only) UL - (Up Light only) UDL - (Up and Down only)	L10.0 L18.0 L29.0 L42.0 (UDL Only)	ZE - 0-10V	UNIV - (120V-277V)
6 — Finish	7 — CCT	8 — Options		
FBK - Fine Textured Black FBZ - Fine Textured Bronze FWH - Fine Textured White FSV - Fine Textured Silver	30K - 3000K 35K - 3500K 40K - 4000K	DP - Deep Housing EB - Integral EM Battery (DL only) F - Fused PCL - Photocell (specify voltage) SPD - Surge Protection Device TP - Tamper-Proof Screw Set		

Performance

Wattage	Delivered Lumens	Efficacy LM/W	CCT	Size
L10.0	1206	113	3000K	
L18.0	2248	115		
L29.0	3061	106		
L42.0	4905	112		UDL



Polar Graph Details:

IES File Name: CRNW-L112.3-120-277-CGL-XX-30K-DL

Maximum Candela = 510 Located At Horizontal Angle = 90, Vertical Angle = 5

1 - Vertical Plane Through Horizontal Angles (90 - 270) (Through Max. Cd.)

2 - Horizontal Cone Through Vertical Angle (5) (Through Max. Cd.)

BUG Rating: B1-U0-G0