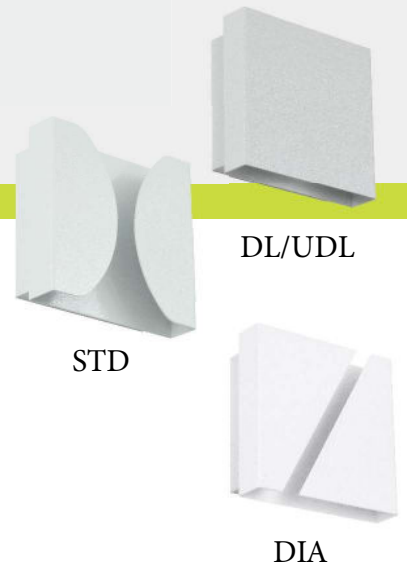


# Concerto

Architectural Indoor



Unveiling the perfect harmony of aesthetics and functionality, Concerto graces interiors as a decorative indoor wall sconce. Exemplary for multifamily residences, it transforms hospitality spaces into havens of luxury, and elevates the ambiance in commercial buildings, including corridors, hallways, elevator areas, lobbies, bathrooms, and more. Its design is an ode to timeless elegance and versatility, ensuring that every space it adorns is bathed in sophistication and brilliance. For those seeking a symphony of light and style, Concerto takes center stage.

## LED Engine

- Color Temp (CCT):** 3000K, 3500K, 4000K
- CRI:** 80+ (consult factory for 90+)
- Life Expectancy:** L70 rated at 50,000+ hours
- Binning:** 3-step Macadam
- Output:** 2690 Source Lumens

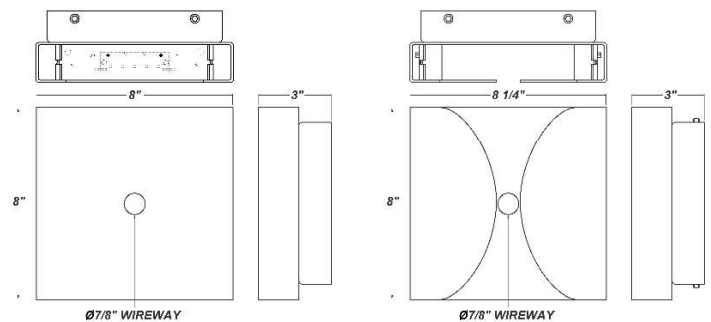
## Driver

- Type:** Constant current, Class 2, 120-277 Vac, 50/60Hz
- Dimming:** Phase (leading or trailing edge)
- Efficiency:** Min 92%
- Operating Temp:** -40°C / -40°F to 50°C / 122°F
- FCC Noise:** Meets FCC Title 47 EMC Part 15 limits

## Certifications

- Location Listing:** Damp Location Rated For Wall Mounting
- Other:** ADA Compliant  
Buy America Compliant

## Dimensions



## Construction

**Housing:** formed aluminum. **Finish:** high quality polyester powder coating, various finishes. **Mounting:** wall-mounted over 4-inch junction box

## Catalog String

### Fixture Core

CTO

1

2

3

4

UNIV

5

### Aesthetics & Options

6

7

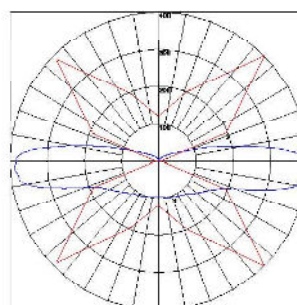
8

## Product Specifications

1 — Product Code	2 — Trim	3 — Wattage	4 — Dimming	5 — Voltage
CTO	STD (Blank) DIA DL UDL	L21.6 L10.8 - DL Only	LT - Leading/Trailing Edge	UNIV - (120V-277V)
6 — Finish	7 — CCT	8 — Options		
FBK - Fine Textured Black FBZ - Fine Textured Bronze FWH - Fine Textured White FSV - Fine Textured Silver	30K - 3000K 35K - 3500K 40K - 4000K	SPD - Surge Protection Device		

## Performance

Wattage	Source Lumens	Efficacy LM/W	CCT
L21.6	1345	124.5	3000K



### Polar Graph Details:

**IES File Name:** CTO-UDL-L21.6-TW-30K.IES

Maximum Candela = 399.734 Located At Horizontal Angle = 45, Vertical Angle = 87

# 1 - Vertical Plane Through Horizontal Angles (45 - 225) (Through Max. Cd.)

# 2 - Horizontal Cone Through Vertical Angle (87) (Through Max. Cd.)