

Citadel W

Architectural Outdoor



As a striking outdoor wall sconce, Citadel W leans towards rugged durability and is designed to withstand the elements with its wet location approval. Its primary purpose is to illuminate and enhance the exteriors of commercial buildings. What sets it apart is its unique design, which provides both upward and downward lighting, casting a captivating play of light and shadow on the building facade. This dynamic illumination not only adds visual interest but also ensures that the space is well-lit and inviting. Citadel W is a testament to how outdoor lighting can merge functionality, resilience, and aesthetic appeal to elevate commercial building exteriors.

LED Engine

Color Temp (CCT): 3000K, 3500K, 4000K
CRI: 80+ (consult factory for 90+)
Life Expectancy: L70 rated at 50,000+ hours
Binning: 3-step Macadam
Output: 2640 Source Lumens

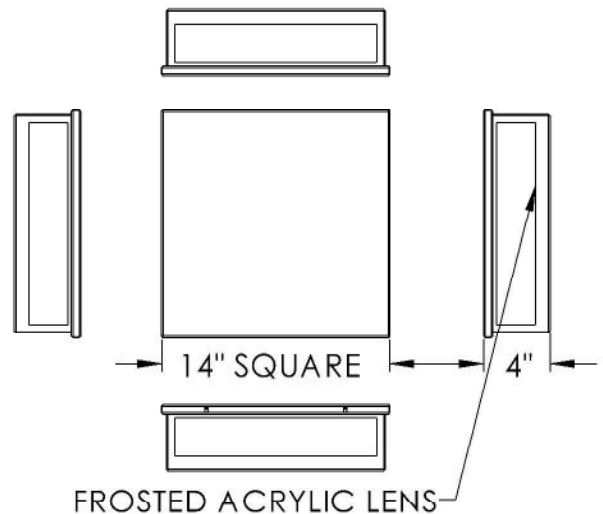
Driver

Type: Constant current, Class 2, 120-277 Vac, 50/60Hz
Dimming: 0-10V
Efficiency: Min 92%
Operating Temp: -40°C / -40°F to 50°C / 122°F
FCC Noise: Meets FCC Title 47 EMC Part 15 limits

Certifications

Location Listing: Wet Location Rated for Wall Mounting
Other: ADA Compliant
Buy America Compliant

Dimensions



Construction

Back box: formed and fully-welded aluminum. **Trim:** formed aluminum with frosted acrylic lenses. **Finish:** high quality polyester powder coating, various finishes. **Hardware:** Stainless steel. **Mounting:** Wall-mounted above a 4-inch junction box.

Catalog String

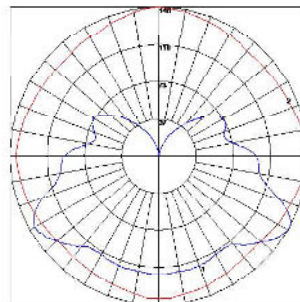
Fixture Core	CTDW 1	N/A 2	L20.5 3	ZE 4	UNIV 5
Aesthetics & Options	6	7	8		

Product Specifications

1 — Product Code	2 — Trim	3 — Wattage	4 — Dimming	5 — Voltage
CTDW	Not Applicable	L20.5	ZE - 0-10V	UNIV - (120V-277V)
6 — Finish	7 — CCT	8 — Options		
FBK - Fine Textured Black FBZ - Fine Textured Bronze FWH - Fine Textured White FSV - Fine Textured Silver	30K - 3000K 35K - 3500K 40K - 4000K	F - Fused SPD - Surge Protection Device TP - Tamper Resistant Screws DL - Down Light Only SL - Side Light Only UL - Up Light Only		

Performance

Wattage	Source Lumens	Efficacy LM/W	CCT
L20.5	2640	125.7	3000K



Polar Graph Details:

IES File Name: CTDW-L21.0-120-277V-30K.IES

Maximum Candela = 146.014 Located At Horizontal Angle = 90, Vertical Angle = 61

1 - Vertical Plane Through Horizontal Angles (90 - 270) (Through Max. Cd.)

2 - Horizontal Cone Through Vertical Angle (61) (Through Max. Cd.)

BUG Rating: B1-U3-G1