

# Birdie Oval

Architectural Indoor/Outdoor



Engineered as a durable bulkhead fixture, the Birdie Oval thrives in demanding industrial settings, where longevity and resilience are prerequisites. What sets it apart is its remarkable popularity with military bases, where reliability in harsh and challenging conditions is not just preferred, but essential. This fixture is renowned for its ability to withstand rigorous use and adverse environments, making it a trusted choice for both industrial and military applications. Birdie Oval is the embodiment of lighting that doesn't just meet expectations but exceeds them.

## LED Engine

- Color Temp (CCT):** 3000K, 3500K, 4000K
- CRI:** 80+ (consult factory for 90+)
- Life Expectancy:** L70 rated at 50,000+ hours
- Binning:** 3-step Macadam
- Output:** 685 Delivered Lumens

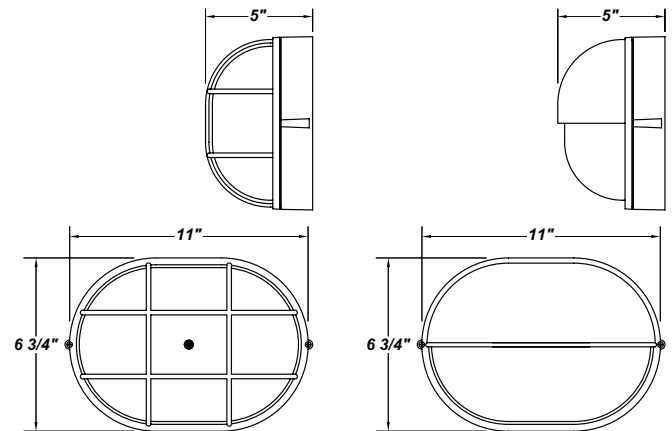
## Driver

- Type:** Constant current, Class 2, 120-277 Vac, 50/60Hz
- Dimming:** 0-10V
- Efficiency:** Min 92%
- Operating Temp:** -40°C / -40°F to 50°C / 122°F
- FCC Noise:** Meets FCC Title 47 EMC Part 15 limits

## Certifications

- Location Listing:** Wet Location Rated
- Other:** N/A

## Dimensions



## Construction

**Housing:** Die-Cast Aluminum Housing with Front and Back Gasketing. **Trim:** die-cast aluminum with White Polycarbonate Lens. **Finish:** high quality polyester powder coating, various finishes. **Hardware:** stainless steel. **Mounting:** wall-mounted over 4-inch junction box.

# Birdie Oval

Architectural Indoor/Outdoor



## Catalog String

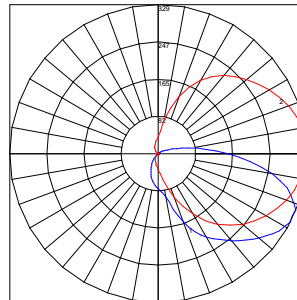
<b>Fixture Core</b>	<b>BEOC</b> 1	2	3	4	<b>UNIV</b> 5
<b>Aesthetics &amp; Options</b>	6	7	8		

## Product Specifications

<b>1 — Product Code</b>	<b>2 — Trim</b>	<b>3 — Wattage</b>	<b>4 — Dimming</b>	<b>5 — Voltage</b>
BEOC	GRL EYE	L13.0	ZE - 0-10V	UNIV - (120V-277V)
<b>6 — Finish</b>	<b>7 — CCT</b>	<b>8 — Options</b>		
<b>FBK</b> - Fine Textured Black <b>FBZ</b> - Fine Textured Bronze <b>FWH</b> - Fine Textured White <b>FSV</b> - Fine Textured Silver	<b>30K</b> - 3000K <b>35K</b> - 3500K <b>40K</b> - 4000K	<b>F</b> - Fused <b>PCL</b> - Photocell ( <i>specify voltage</i> ) <b>SPD</b> - Surge Protection Device <b>TP</b> - Tamper-Proof Screw Set		

## Performance

Wattage	Delivered Lumens	Efficacy LM/W	CCT
L13.0	685	50	3000K



### Polar Graph Details:

**IES File Name:** BEOC-L13.0-FGL-EYE-WH-30K.IES

Maximum Candela = 329.07 Located At Horizontal Angle = 360, Vertical Angle = 62.5

# 1 - Vertical Plane Through Horizontal Angles (360 - 180) (Through Max. Cd.)

# 2 - Horizontal Cone Through Vertical Angle (62.5) (Through Max. Cd.)

BUG Rating: B0-U2-G1

