



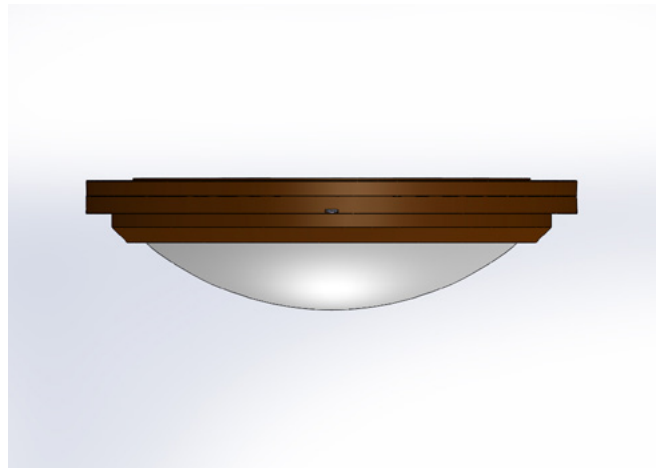
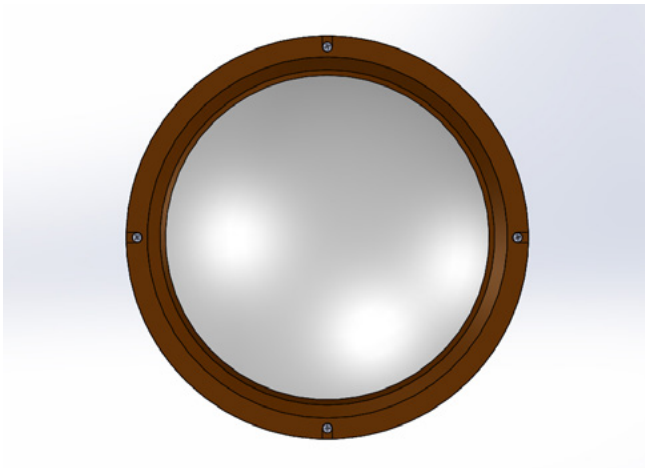
INSTALLATION & MAINTENANCE INSTRUCTIONS Heritage Shallow LED

ARCHITECTURAL OUTDOOR

P.N. 76960

WARNING: DISCONNECT POWER PRIOR TO INSTALLATION OR SERVICING OF FIXTURE

NOTE: THIS PRODUCT MUST BE INSTALLED IN ACCORDANCE WITH THE APPLICABLE LOCAL & NATIONAL ELECTRICAL CODES BY A PERSON FAMILIAR WITH THE CONSTRUCTION AND FAMILIAR WITH THE OPERATION OF THE PRODUCT AND HAZARDS INVOLVED.



INSTALLATION

1. Make sure the power to the area working in is shut off to avoid serious injury from electrical shock.
2. Remove any excess packing from the fixture.
3. Remove (4) screws securing the lens frame to the housing, set lens aside.
4. Knock out appropriate holes on the back of housing to mate to junction box (not supplied).
5. Mount Heritage Shallow LED to junction box using applicable knockouts.
6. Connect the fixture leads to the supply leads. TLI stipulates the Black as Line; White as Common; Bare/Green as Ground. Connections should be made in junction box.
7. Secure lens to housing using (4) screws.
8. Restore power to fixture to ensure fixture is working properly.
9. Outdoor wall fixtures must be caulked with a suitable waterproof sealant across the top, and at least 1" down each side of the fixture to properly seal it to the mounting surface. A small space should be open at the bottom for excess moisture runoff.
10. Fill rough or uneven surfaces, mortar joints, and any exterior holes with silicone sealant.

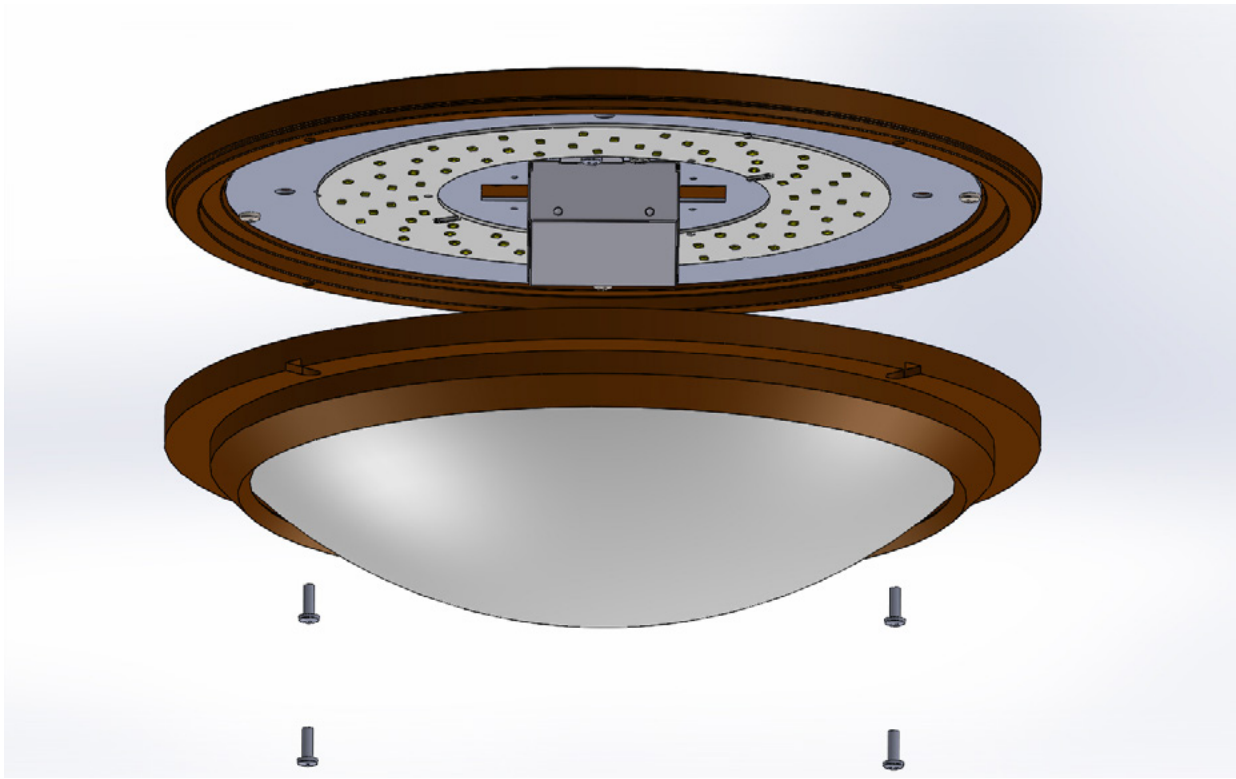
MAINTENANCE

DO NOT use cleansers containing bleach.

The metal portion of the fixture can be wiped clean as needed using a mild soap solution.

ATTENTION

Avoid moving any exposed wires. If any wires are accidentally disconnected, call a professional to repair.



WIRING DIAGRAM

