



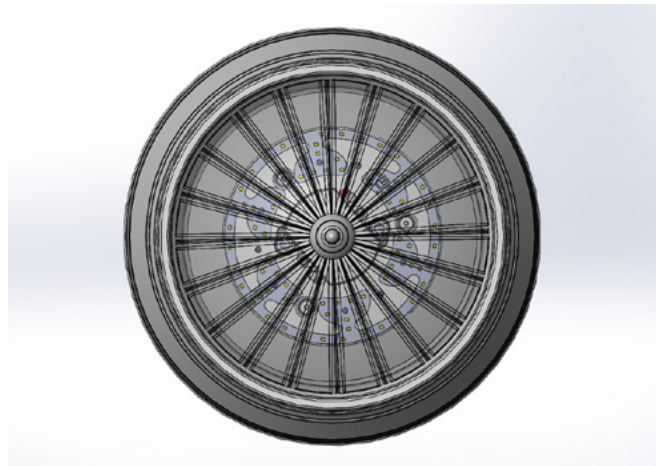
INSTALLATION & MAINTENANCE INSTRUCTIONS Thousand Oaks LED

Ceiling Mounted Luminaire

P.N. 76205

WARNING: DISCONNECT POWER PRIOR TO INSTALLATION OR SERVICING OF FIXTURE

NOTE: THIS PRODUCT MUST BE INSTALLED IN ACCORDANCE WITH THE APPLICABLE LOCAL & NATIONAL ELECTRICAL CODES BY A PERSON FAMILIAR WITH THE CONSTRUCTION AND FAMILIAR WITH THE OPERATION OF THE PRODUCT AND HAZARDS INVOLVED.



INSTALLATION

1. Make sure the power to the area working in is shut off to avoid serious injury from electrical shock.
2. Remove any excess packing from the fixture.
3. This fixture is designed to be mounted over a junction box (not supplied), using (2) 8-32 x 2" screws.
4. Assemble mounting screws into threaded holes in the mounting strap.
5. Attach threaded rod to the middle of the mounting strap and secure using hex nut.
6. Attach mounting strap to junction box.
7. Connect the fixture leads to the supply leads. Teron stipulates the Black as Line, White as Common, and Bare/Green as ground. All connections made must be inside the junction box.
8. Push fixture to ceiling so mounting screws can pass through keyhole slots. Turn fixture until screwheads flush with the tight side of the mounting holes. Tighten screws.
9. Energize the fixture to ensure proper connection.
10. Carefully lift glass lens through threaded pipe. Secure in place with rubber washer, flat washer, and hex nut in that order. Do not over tighten.
11. Slip trim piece over threaded pipe and secure in place with acorn finial.

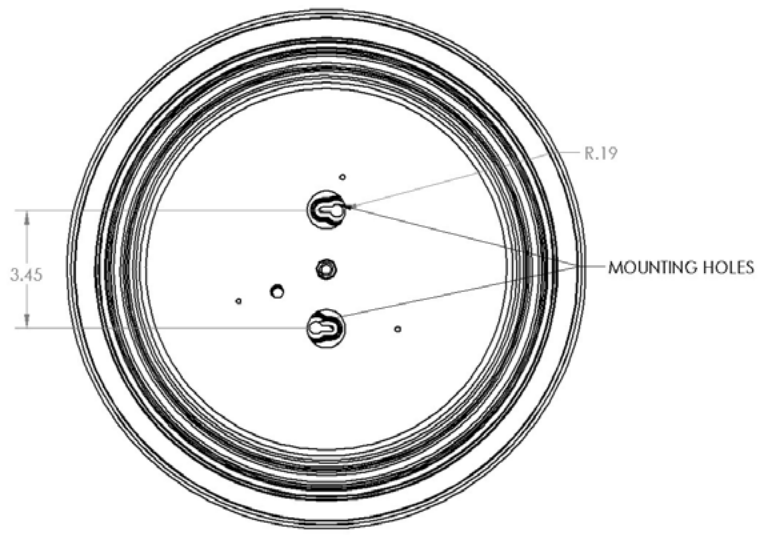
MAINTENANCE

DO NOT use cleansers containing bleach.

The metal portion of the fixture can be wiped clean as needed using a mild soap solution.

ATTENTION

Avoid moving any exposed wires. If any wires are accidentally disconnected, call a professional to repair.



WIRING DIAGRAM

