



## INSTALLATION & MAINTENANCE INSTRUCTIONS

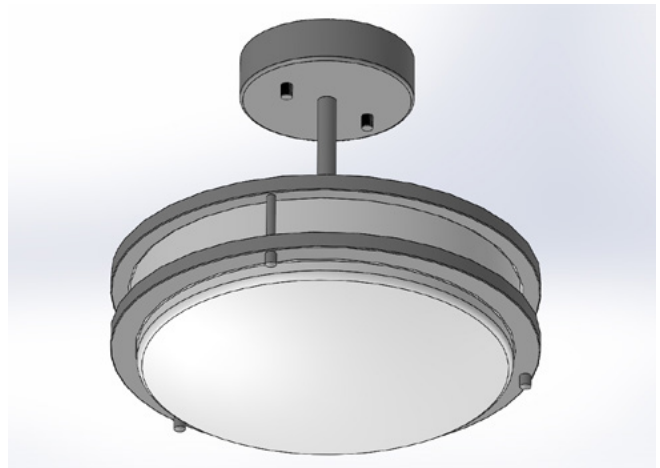
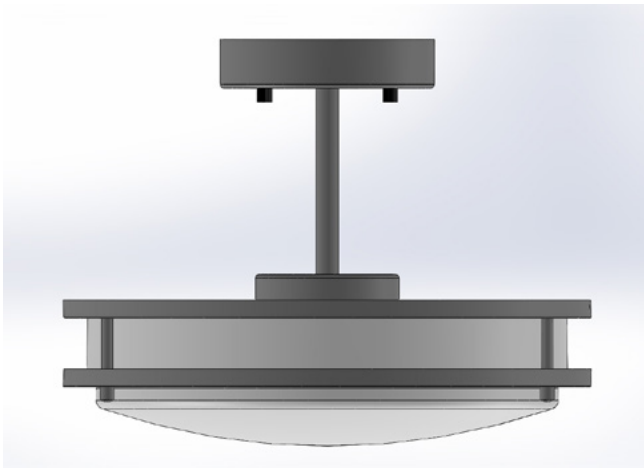
### Nike P 14in & 17in LED

CEILING MOUNTED LUMINAIRE

P.N. 76202

**WARNING:** DISCONNECT POWER PRIOR TO INSTALLATION OR SERVICING OF FIXTURE

*NOTE: THIS PRODUCT MUST BE INSTALLED IN ACCORDANCE WITH THE APPLICABLE LOCAL & NATIONAL ELECTRICAL CODES BY A PERSON FAMILIAR WITH THE CONSTRUCTION AND FAMILIAR WITH THE OPERATION OF THE PRODUCT AND HAZARDS INVOLVED.*



### **INSTALLATION**

1. Make sure the power to the area working in is shut off to avoid serious injury from electrical shock.
2. The Nike P LED fixtures were designed to mount directly to a junction box (not supplied).
3. Remove any excess packing from the fixture.
4. Connect the fixture leads to the leads in the pendant. TLI stipulates the Black as Line; White as Common; Bare/Green as Ground.
5. Loosen (2) screws on the pendant. Leave a large enough gap between the head of the screw and the bottom of the pendant so the fixture can slide in easily.
6. Remove (3) screw caps and gently remove ring securing lens along with lens component.
7. Place the mount pan over the (2) screws just loosened in step 5 via the keyslots. Rotate the mount pan to secure it in the keyslots, then tighten the screws to completely secure the pan to the pendant.
8. Assemble mounting screws into threaded holes in the mounting strap (provided) and attach mounting strap to junction box.
9. Connect pendant leads to the supply leads. See step 4 for TLI's color stipulations.
10. Lift fixture to junction box so that the screws poke through the top pendant base. Secure with two screw caps.
11. Energize fixture to ensure proper connection.

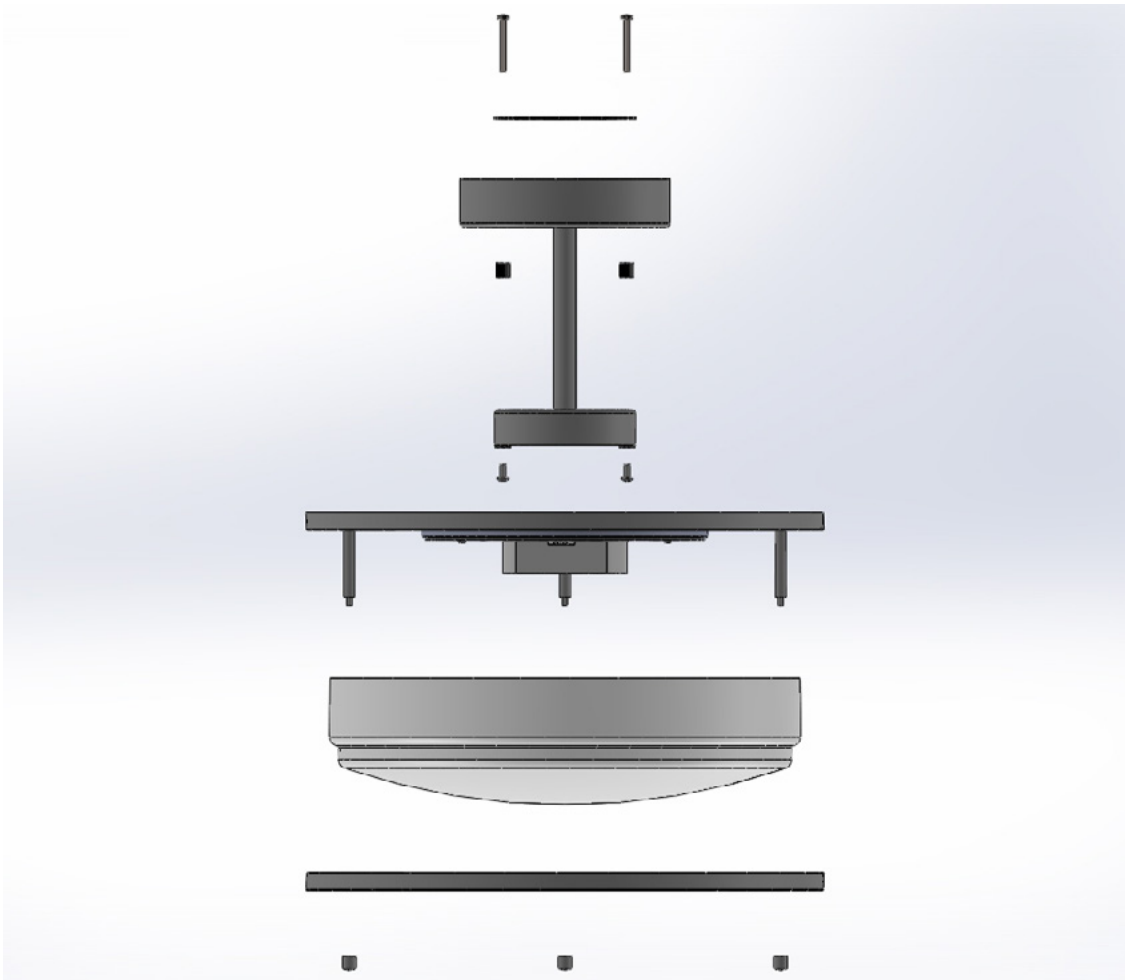
### **MAINTENANCE**

DO NOT use cleansers containing bleach.

The metal portion of the fixture can be wiped clean as needed using a mild soap solution.

### **ATTENTION**

Avoid moving any exposed wires. If any wires are accidentally disconnected, call a professional to repair.



**WIRING DIAGRAM**

