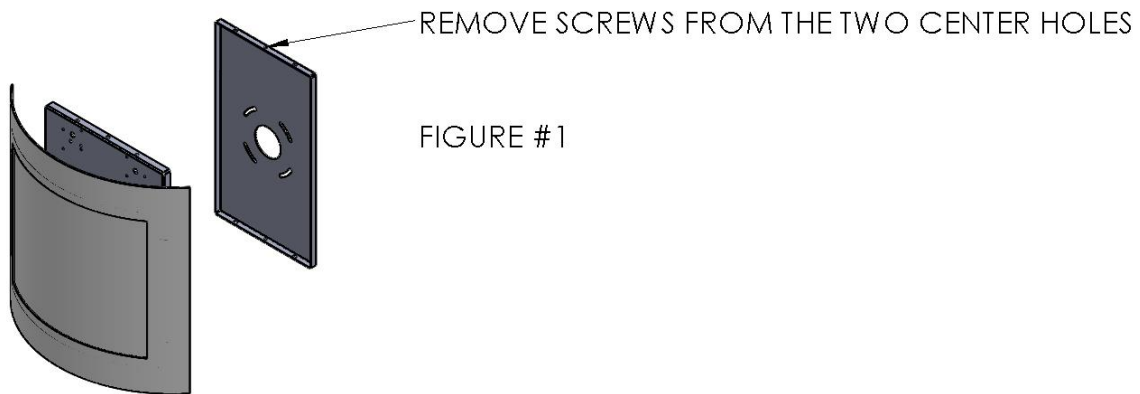




**INSTALLATION & MAINTENANCE INSTRUCTIONS
FOR THE
ECLIPSE/TEMPEST - LED
Wall Mounted Luminaire** **P.N. 76186**

WARNING: DISCONNECT POWER PRIOR TO INSTALLATION OR SERVICING OF FIXTURE

NOTE: THIS PRODUCT MUST BE INSTALLED IN ACCORDANCE WITH THE APPLICABLE LOCAL & NATIONAL ELECTRICAL CODES BY A PERSON FAMILIAR WITH THE CONSTRUCTION AND FAMILIAR WITH THE OPERATION OF THE PRODUCT AND HAZARDS INVOLVED.



INSTALLATION

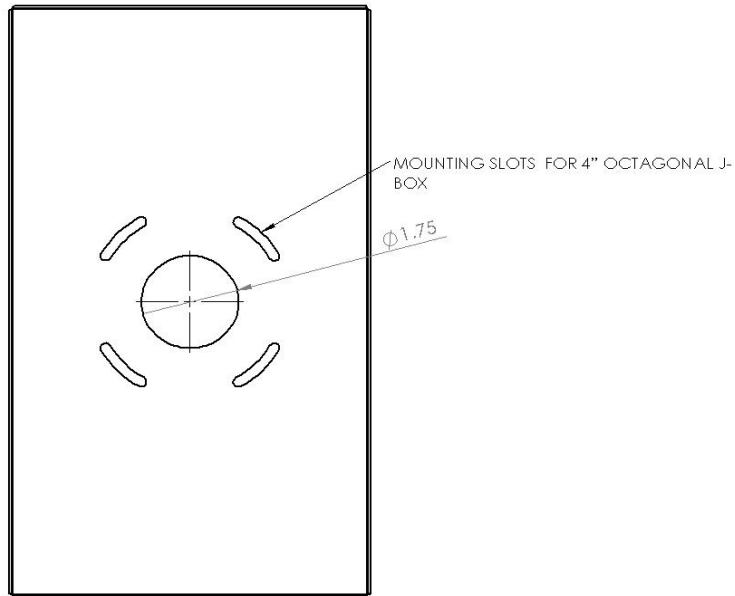
1. Remove any excess packing from the fixture.
2. Remove LED mounting PLATE by removing the two 8/32 SCREWS in Figure 2 (Top and Bottom of fixture).
3. ECLIPSE/TEMPEST fixtures are designed to be mounted directly to the 4" Octagonal J-Box (By Others).
4. Pull the supply leads into the housing, and mount the housing to the junction box.
5. Connect the fixture leads to the supply leads. Teron stipulates the Black as Line, White as Common, and Bare/Green as ground.
6. Reassemble fixture by reattaching the LED mounting plate and lens assembly, securing the LED mounting plate with removed hardware.

MAINTENANCE

The lens should be cleaned once every 6 months. It must be washed in a mild soap solution. DO NOT use cleansers containing bleach.

The metal portion of the fixture can be wiped clean as needed using a mild soap solution.

ATTENTION: Avoid moving any exposed wires. If any wires are accidentally disconnected, call a professional to repair.



NOTE: Verify the mounting hole dimensions before installing the fixture.

