



INSTALLATION & MAINTENANCE INSTRUCTIONS

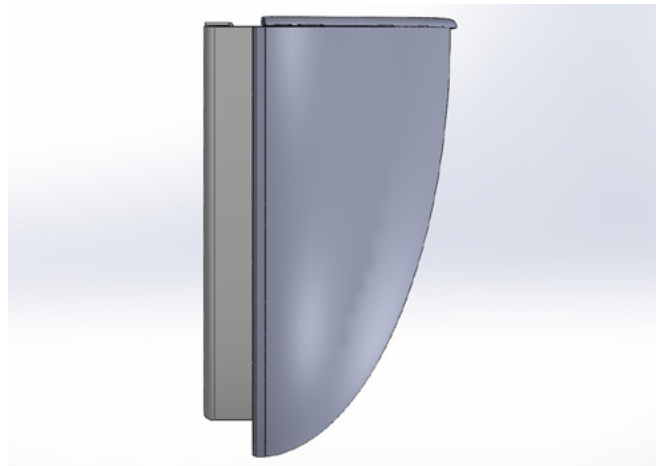
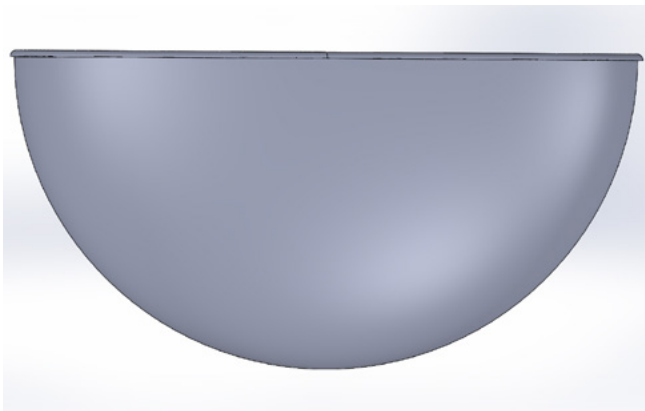
Doral ADA LED

WALL MOUNTED LUMINAIRE

P.N. 76184

WARNING: DISCONNECT POWER PRIOR TO INSTALLATION OR SERVICING OF FIXTURE

NOTE: THIS PRODUCT MUST BE INSTALLED IN ACCORDANCE WITH THE APPLICABLE LOCAL & NATIONAL ELECTRICAL CODES BY A PERSON FAMILIAR WITH THE CONSTRUCTION AND FAMILIAR WITH THE OPERATION OF THE PRODUCT AND HAZARDS INVOLVED.



INSTALLATION

1. Make sure the power to the area working in is shut off to avoid serious injury from electrical shock.
2. The Doral ADA LED was designed to mount directly to a junction box (not supplied).
3. Remove any excess packing from the fixture.
4. Remove lens by gently pulling on it until it disconnects from the mounting pan.
5. Attach threaded rod to the middle of the mounting strap and secure using hex nut.
6. Attach mounting strap to junction box.
7. Connect the fixture leads to the supply leads. Teron stipulates the Black as Line, White as Common, and Bare/Green as ground. All connections made must be inside the junction box.
8. Push fixture to wall and secure using brass cap.
9. Re-attach lens by gently pushing it until it connects to the mounting pan.
10. Energize fixture to ensure proper connection.

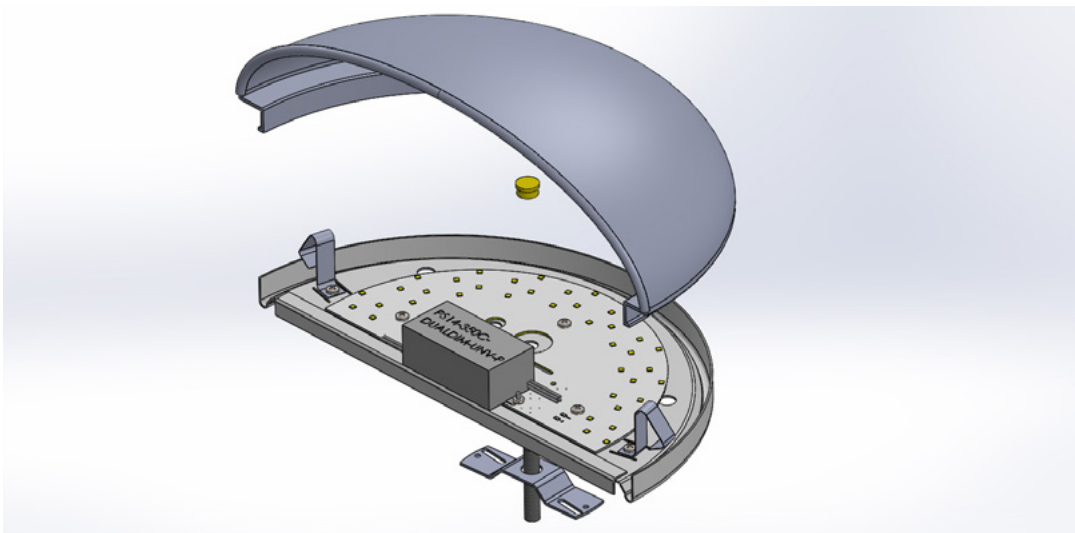
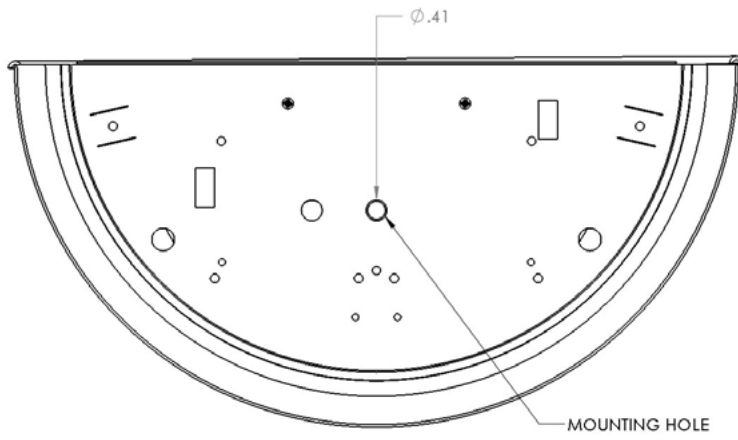
MAINTENANCE

DO NOT use cleansers containing bleach.

The metal portion of the fixture can be wiped clean as needed using a mild soap solution.

ATTENTION

Avoid moving any exposed wires. If any wires are accidentally disconnected, call a professional to repair.



WIRING DIAGRAM

