



INSTALLATION & MAINTENANCE INSTRUCTIONS

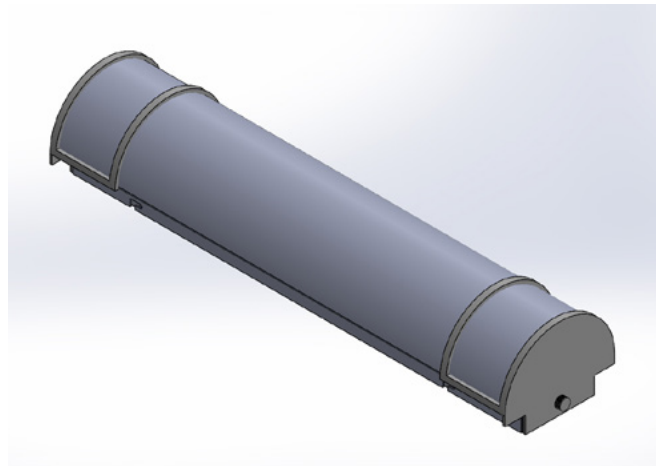
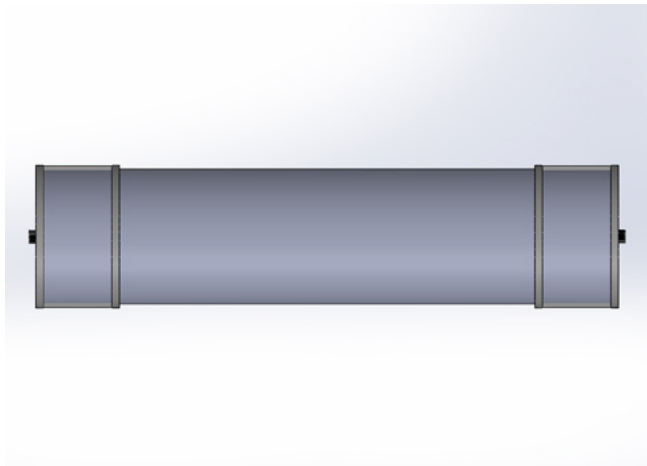
Dunlop LED

ARCHITECTURAL VANITY

P.N. 76183

WARNING: DISCONNECT POWER PRIOR TO INSTALLATION OR SERVICING OF FIXTURE

NOTE: THIS PRODUCT MUST BE INSTALLED IN ACCORDANCE WITH THE APPLICABLE LOCAL & NATIONAL ELECTRICAL CODES BY A PERSON FAMILIAR WITH THE CONSTRUCTION AND FAMILIAR WITH THE OPERATION OF THE PRODUCT AND HAZARDS INVOLVED.



INSTALLATION

1. Make sure the power to the area working in is shut off to avoid serious injury from electrical shock.
2. The Dunlop LED fixture was designed to be mounted directly to a junction box (not supplied).
3. Remove any excess packing from the fixture.
4. Remove end caps by removing (2) screws, one on each side.
5. Place caps and lens off to the side carefully.
6. Loosen (4) screws on sides of reflector slide the reflector off of the mounting pan.
7. Connect the fixture leads to the supply leads inside junction box (not supplied). TLI stipulates the Black as Line; White as Common; Bare/Green as Ground.
8. Insert 2 screws (provided) into the junction box. Place the mounting pan over the 2 screws via the keyslots. Tighten the screws to completely secure the pan to the junction box.
9. Do steps 4-6 in reverse order to reassemble the fixture.
10. Energize fixture to ensure proper connection.

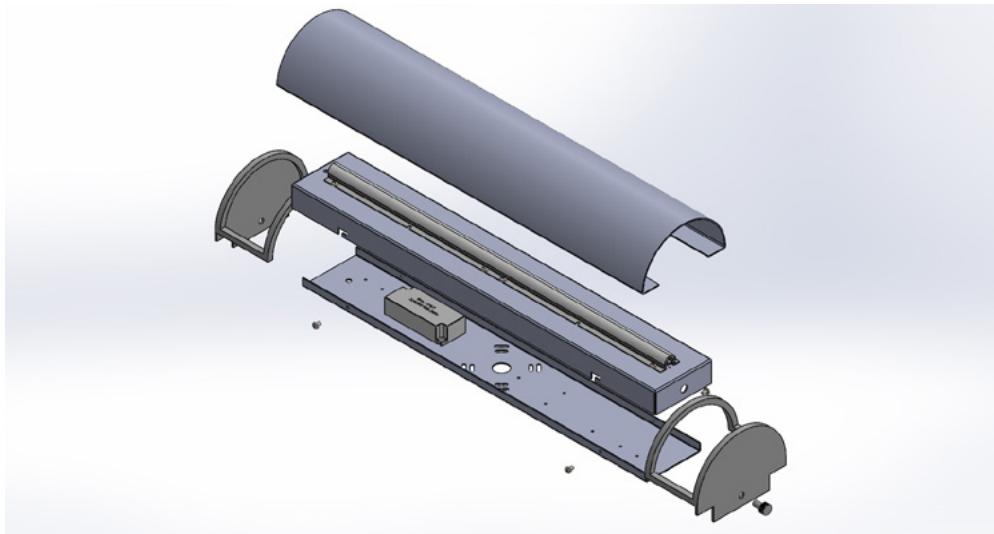
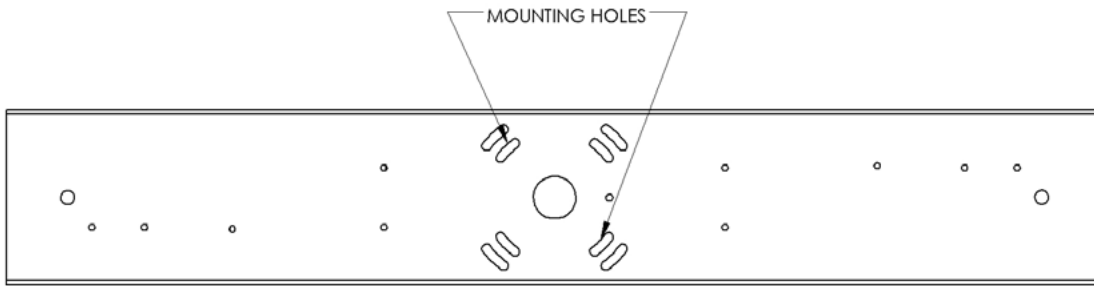
MAINTENANCE

DO NOT use cleansers containing bleach.

The metal portion of the fixture can be wiped clean as needed using a mild soap solution.

ATTENTION

Avoid moving any exposed wires. If any wires are accidentally disconnected, call a professional to repair.



WIRING DIAGRAM

