

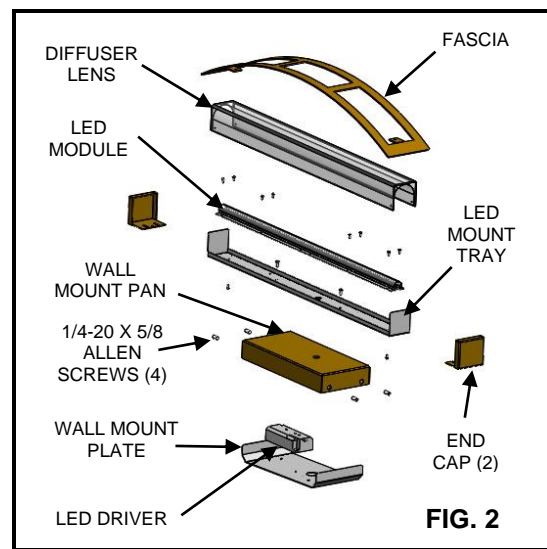
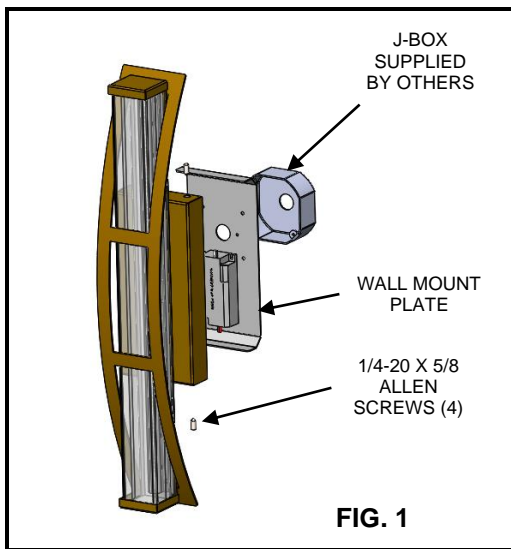


**INSTALLATION & MAINTENANCE INSTRUCTIONS
FOR THE
SONATA – LED**
Wall Mounted Luminaire P.N.:76162 REV.1

WARNING: DISCONNECT POWER PRIOR TO INSTALLATION OR SERVICING OF FIXTURE

NOTE: THIS PRODUCT MUST BE INSTALLED IN ACCORDANCE WITH THE APPLICABLE LOCAL & NATIONAL ELECTRICAL CODES BY A PERSON FAMILIAR WITH THE CONSTRUCTION AND FAMILIAR WITH THE OPERATION OF THE PRODUCT AND HAZARDS INVOLVED

FASCIA



INSTALLATION

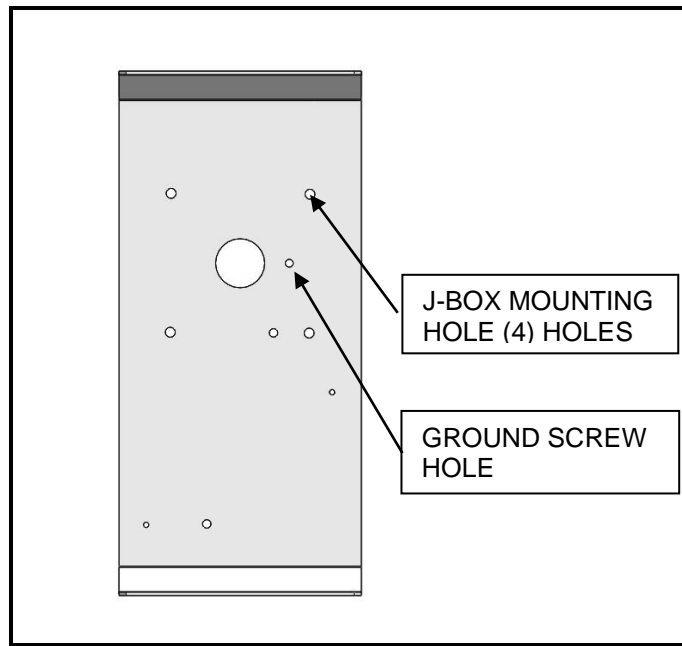
1. Remove any excess packing from the fixture.
2. Remove the Housing Assembly from wall mounting plate (in Figure 2) by loosening the (4) 1/4-20 X 5/8 Allen Screws. See (Figure 1)
3. Pull the supply leads through the center hole in the Wall Mounting Plate.
4. Attach the Wall Mounting Plate to junction box using (2) #8-32 X 1" PH screws (**supplied by others**).
5. Connect the fixture leads to the supply leads. Teron stipulates the Black as Line, White as Common, and Bare/Green as ground.
6. Reassemble fixture by reattaching the Housing Assembly to the Wall Mounting Plate and securing the assembly in place with (4) 1/4-20 x 5/8 Allen Screws

MAINTENANCE

DO NOT use cleansers containing bleach.

The metal portion of the fixture can be wiped clean as needed using a mild soap solution.

ATTENTION: Avoid moving any exposed wires. If any wires are accidentally disconnected, call a professional to repair.



NOTE: Fixture is to be mounted to the junction box using 8-32 x .75 screws (supplied by others).

WIRING DIAGRAM

