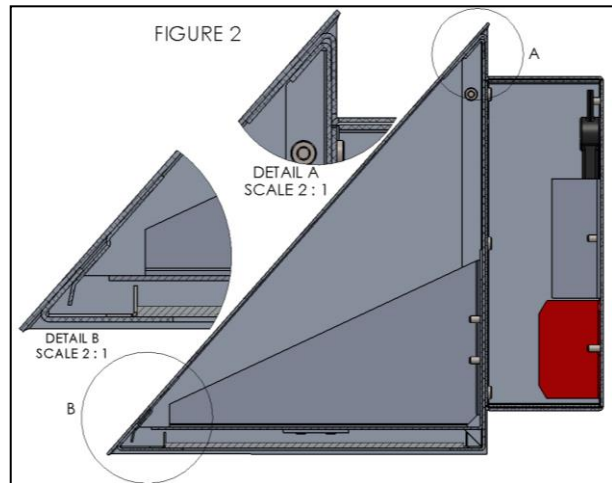
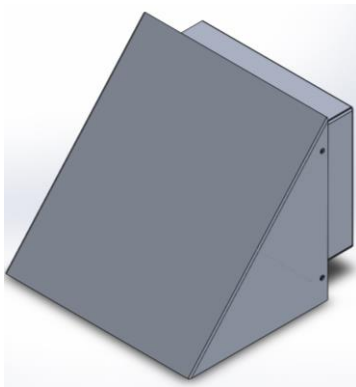




**INSTALLATION & MAINTENANCE INSTRUCTIONS
FOR THE
TRITON - LED
Wall Mounted Luminaire P.N.76161 REV. 1**

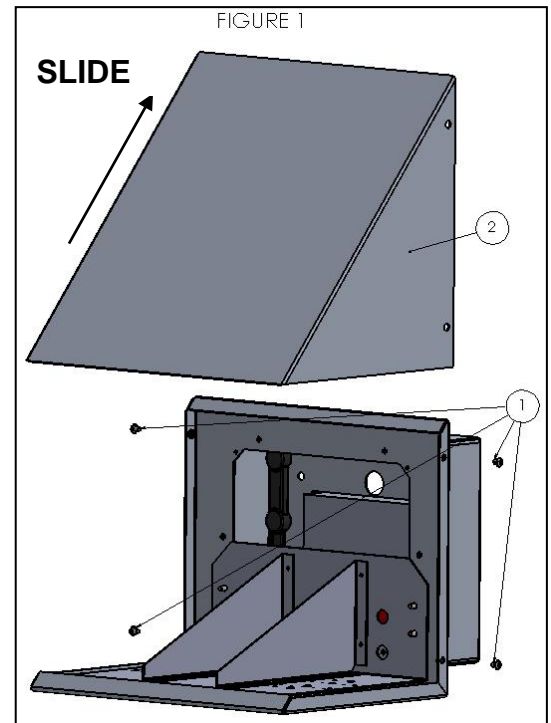
WARNING: DISCONNECT POWER PRIOR TO INSTALLATION OR SERVICING OF FIXTURE

NOTE: THIS PRODUCT MUST BE INSTALLED IN ACCORDANCE WITH THE APPLICABLE LOCAL & NATIONAL ELECTRICAL CODES BY A PERSON FAMILIAR WITH THE CONSTRUCTION AND FAMILIAR WITH THE OPERATION OF THE PRODUCT AND HAZARDS INVOLVED.



INSTALLATION

1. Remove any excess packing from the fixture.
2. This fixture is designed to be mounted over a junction box (supplied by customer) on a wall with anchors (supplied by others). Open the housing assembly by removing the (4) 8-28 X 3/8 screws (1) in Figure 1.
3. Now remove front part of the housing (2) in Figure 1 by sliding the housing up in direction showed in Figure 1 to disengage from the lens frame.
4. Line up the back of the housing in desired location, completely covering junction box and mount securely to the wall with (2) suitable screws. (By others)
5. Complete the wiring to the power source and ground. The Black as Line; White as Common; Bare/Green as Ground. Wire connections to be made inside of housing.
6. Reassemble the fixture by reattaching the front part of the housing (2) in Figure 1 making sure the housing bracket engages lens fame shown in Figure 2.
7. Outdoor wall fixtures must be caulked with a suitable waterproof sealant across the top, and at least "half way" down each side of the fixture to properly seal it to the mounting surface. A small space should be open at the bottom for excess moisture runoff.



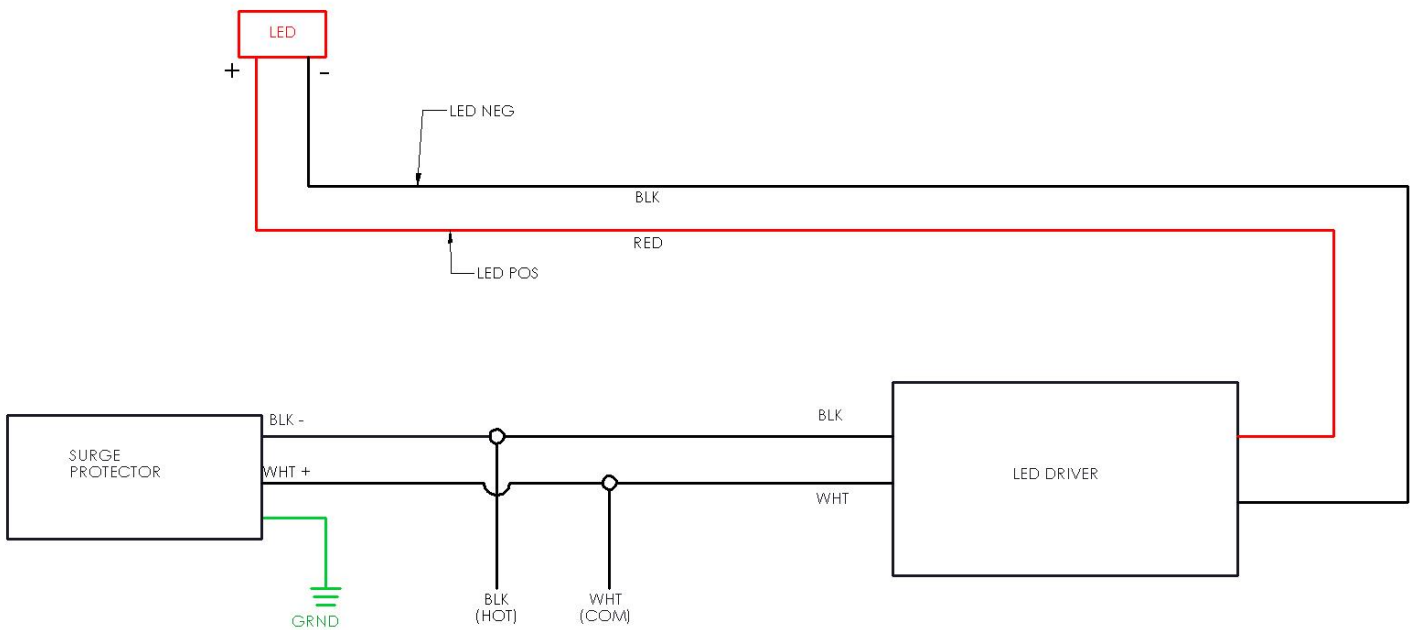
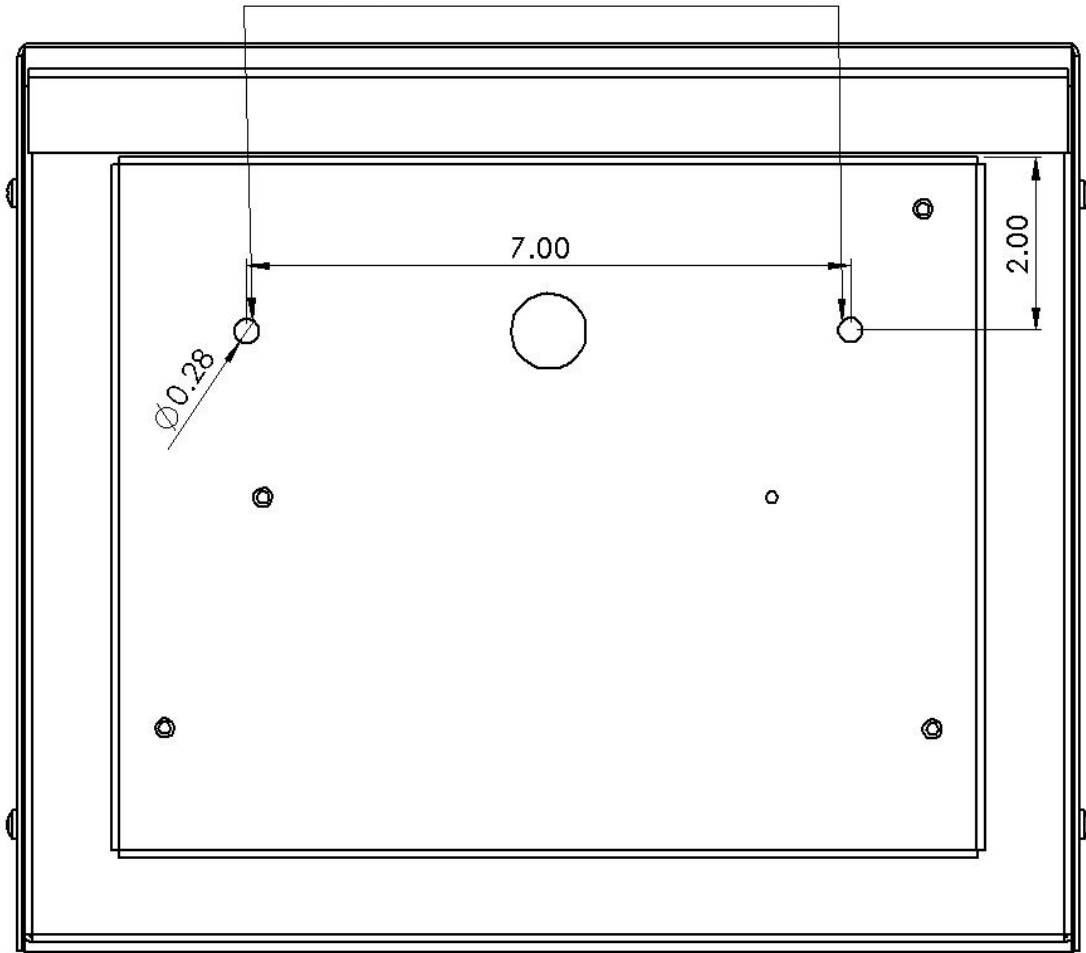
MAINTENANCE

DO NOT use cleansers containing bleach.

The metal portion of the fixture can be wiped clean as needed using a mild soap solution.

ATTENTION: Avoid moving any exposed wires. If any wires are accidentally disconnected, call a professional to repair.

MOUNTING HOLES



WIRING DIAGRAM WITH SURGE PROTECTOR