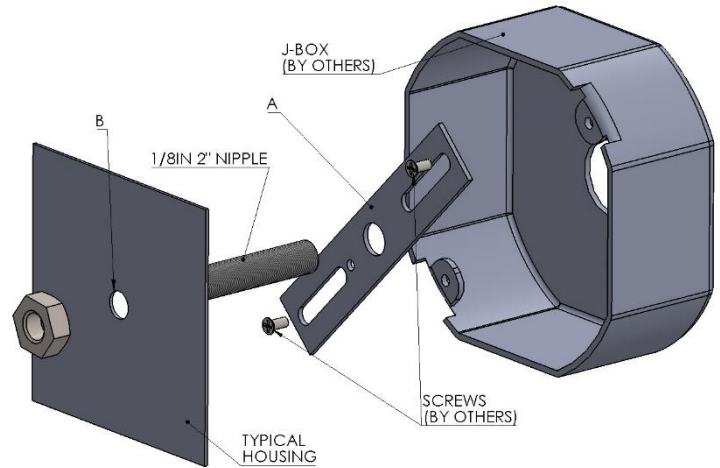




**INSTALLATION & MAINTENANCE INSTRUCTIONS
FOR THE
NIKE S - LED
Wall Mounted Luminaire** P.N.:76157

WARNING: DISCONNECT POWER PRIOR TO INSTALLATION OR SERVICING OF FIXTURE

NOTE: THIS PRODUCT MUST BE INSTALLED IN ACCORDANCE WITH THE APPLICABLE LOCAL & NATIONAL ELECTRICAL CODES BY A PERSON FAMILIAR WITH THE CONSTRUCTION AND FAMILIAR WITH THE OPERATION OF THE PRODUCT AND HAZARDS INVOLVED.



INSTALLATION

1. Remove any excess packing from the fixture.
2. Line up the back of the housing in desired location, completely covering junction box and mount securely to the junction box with (2) 8-32 screws OR with nipple mount. For nipple mount, attach crossbar(A) to the j-box with screws (By Others) and screw the nipple into the crossbar(A). Then place center hole of housing(B) over the nipple and install the nut provided.
3. Connect the fixture leads to the supply line leads. TLI stipulates the BLACK lead as line voltage, WHITE lead as common and BARE/GREEN lead as ground.
4. Restore the power to the circuit.

MAINTENANCE: **DO NOT** use cleansers containing bleach.
The metal portion of the fixture can be wiped clean as needed using a mild soap solution.
Avoid moving any exposed wires. If any wires are accidentally disconnected, call a professional to repair.

MOUNTING HOLES

