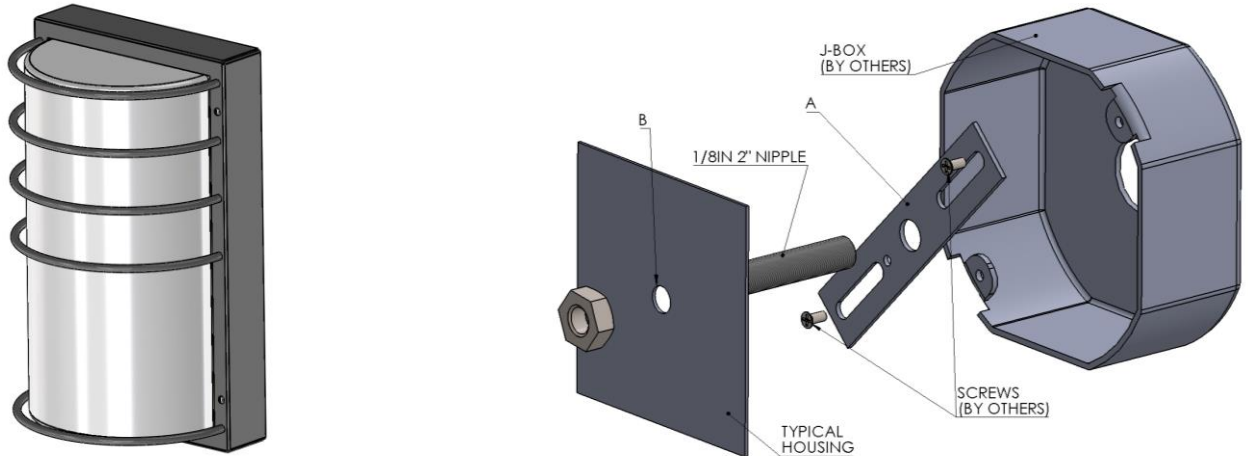




**INSTALLATION & MAINTENANCE INSTRUCTIONS  
FOR THE  
ROYAL - LED  
Wall Mounted Luminaire** P.N.:76156

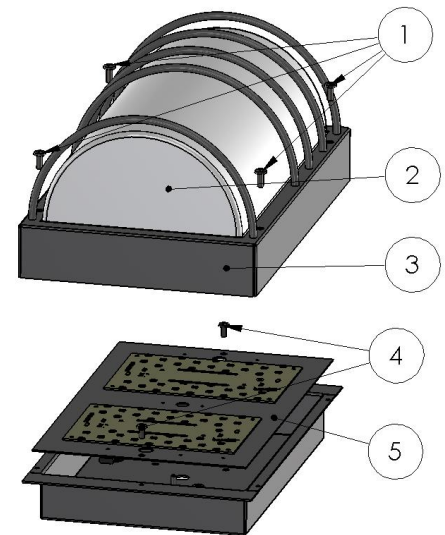
**WARNING:** DISCONNECT POWER PRIOR TO INSTALLATION OR SERVICING OF FIXTURE  
**NOTE:** THIS PRODUCT MUST BE INSTALLED IN ACCORDANCE WITH THE APPLICABLE LOCAL & NATIONAL ELECTRICAL CODES BY A PERSON FAMILIAR WITH THE CONSTRUCTION AND FAMILIAR WITH THE OPERATION OF THE PRODUCT AND HAZARDS INVOLVED.



**INSTALLATION**

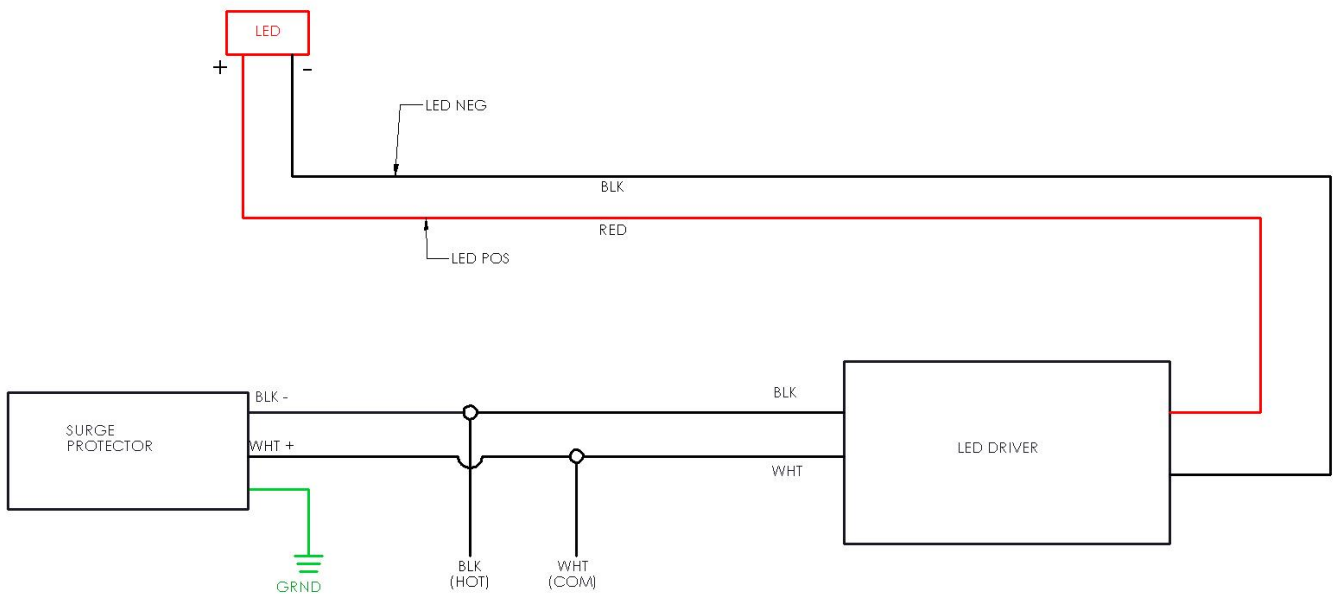
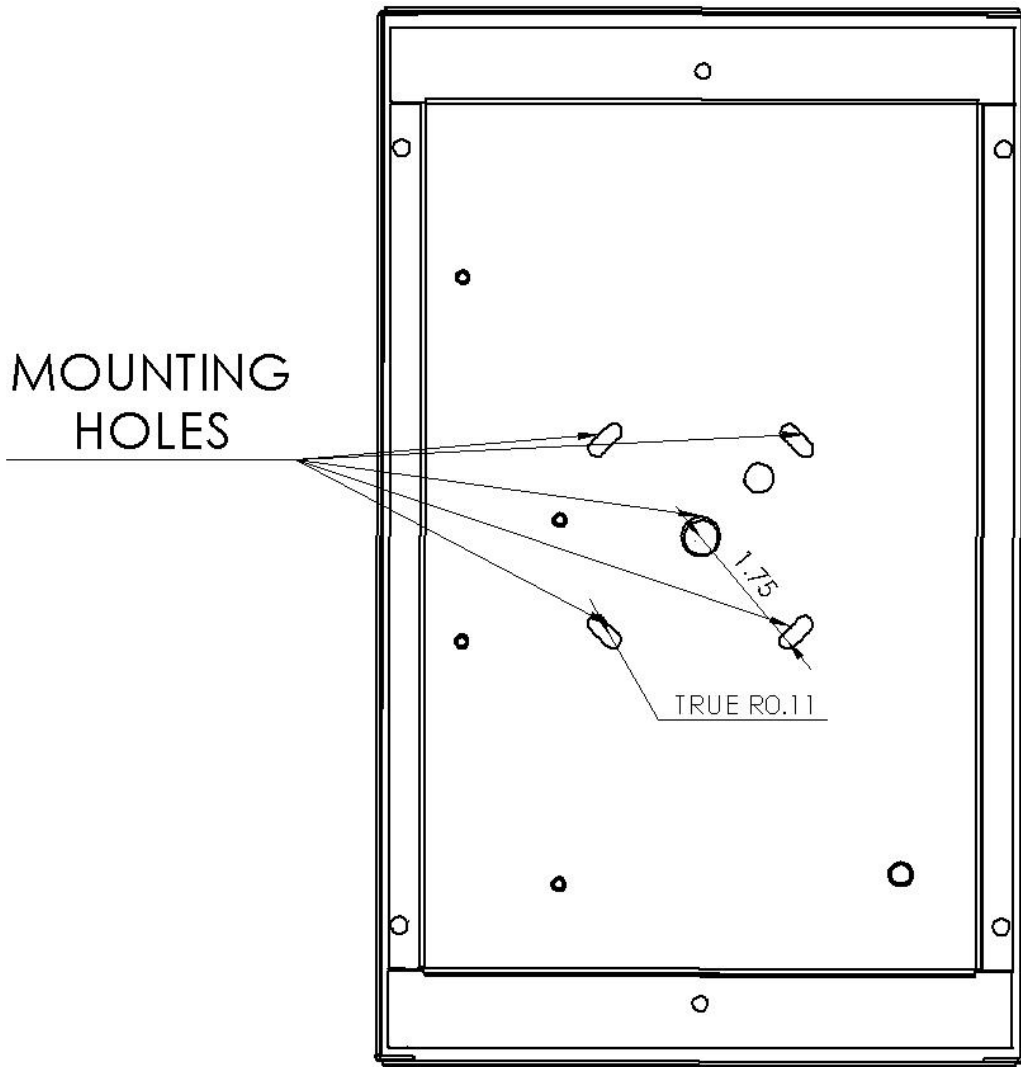
1. Remove any excess packing from the fixture.
2. This fixture is designed to be mounted to a junction box (supplied by customer).
3. Open the housing assembly by removing frame (3) in Figure 1 and lens (2) in Figure 1 by removing (4) screws (1) in Figure 1, 2 on each side of fixture.
4. Take off LED mounting plate (5) in Figure 1 by removing (2) screws (4) in Figure 1 located on the top and bottom of the LED mounting plate.
5. Line up the back of the housing in desired location, completely covering junction box and mount securely to the junction box with (2) 8-32 screws AND/OR with nipple mount. For nipple mount, attach crossbar(A) to the j-box with screws (By Others) and screw the nipple into the crossbar(A). Then place center hole of housing(B) over the nipple and install the nut provided.
6. Complete the wiring to the power source and ground. The Black as Line; White as Common; Bare/Green as Ground. Wire connections to be made inside of housing.
7. Reassemble the housing by reattaching LED mounting plate, lens, and frame.
8. Outdoor wall fixtures must be caulked with a suitable waterproof sealant filling all rough or uneven surfaces, mortar joints, and any exterior holes including wireway holes. A small space should be open at the bottom for excess moisture runoff.

FIGURE 1



**MAINTENANCE**

DO NOT use cleansers containing bleach.  
 The metal portion of the fixture can be wiped clean as needed using a mild soap solution.  
**ATTENTION:** Avoid moving any exposed wires. If any wires are accidentally disconnected, call a professional to repair.



**WIRING DIAGRAM WITH SURGE PROTECTOR**