



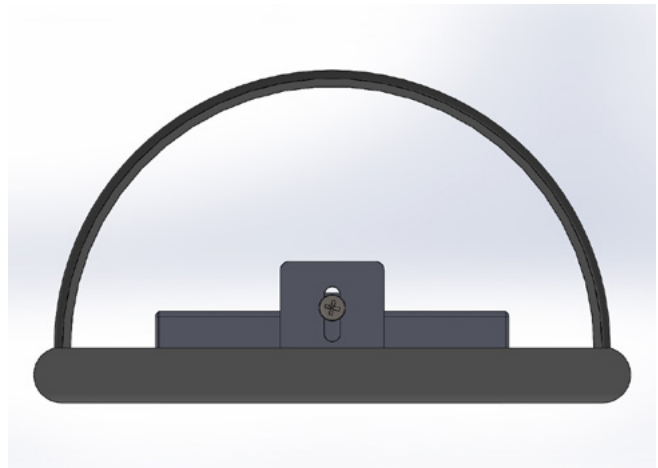
## INSTALLATION & MAINTENANCE INSTRUCTIONS Lehman LED

Wall Mounted Luminaire

P.N. 76148

**WARNING:** DISCONNECT POWER PRIOR TO INSTALLATION OR SERVICING OF FIXTURE

*NOTE: THIS PRODUCT MUST BE INSTALLED IN ACCORDANCE WITH THE APPLICABLE LOCAL & NATIONAL ELECTRICAL CODES BY A PERSON FAMILIAR WITH THE CONSTRUCTION AND FAMILIAR WITH THE OPERATION OF THE PRODUCT AND HAZARDS INVOLVED.*



### **INSTALLATION**

1. Make sure the power to the area working in is shut off to avoid serious injury from electrical shock.
2. The Lehman LED fixture was designed to mount directly to a junction box (not supplied).
3. Remove any excess packing from the fixture.
4. Remove lens and fascia by removing (2) screws on ends of the fixture. Carefully place aside.
5. Remove reflector by removing (4) screws from the mounting pan.
6. Connect the fixture leads to the supply leads inside j-box. TLI stipulates the Black as Line; White as Common; Bare/Green as Ground.
7. Insert 2 screws (provided) into the J-Box. Place the Mount Pan over the 2 screws via the Keyslots (B). Rotate the mount pan to secure it in the Keyslots, then tighten the screws to completely secure the pan to the J-Box / Mounting Surface.
8. Energize fixture to ensure proper connection.
9. Re-attach lens and fascia by screwing (2) screws back in on the ends of the fixture.

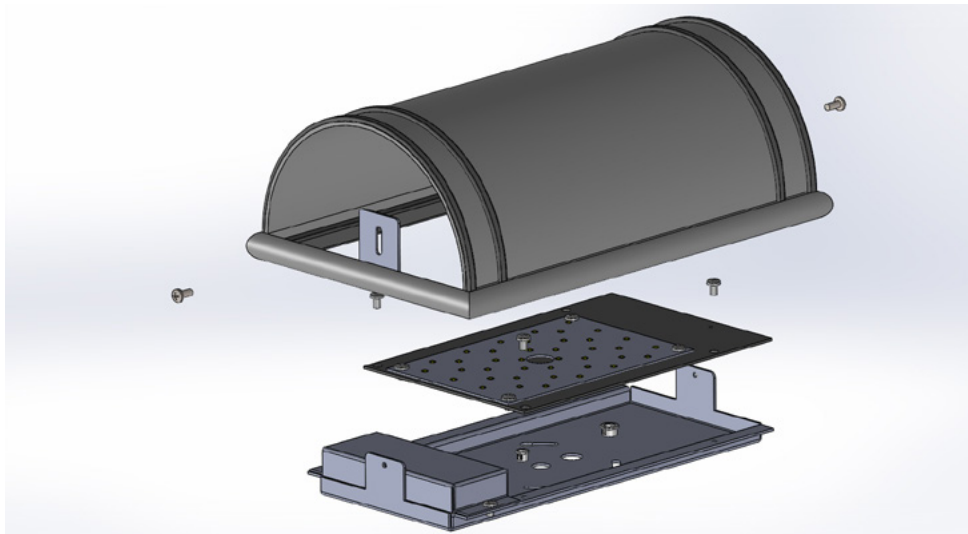
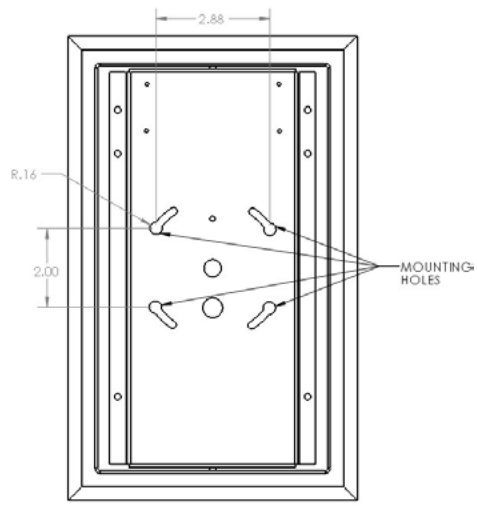
### **MAINTENANCE**

DO NOT use cleansers containing bleach.

The metal portion of the fixture can be wiped clean as needed using a mild soap solution.

### **ATTENTION**

Avoid moving any exposed wires. If any wires are accidentally disconnected, call a professional to repair.



**WIRING DIAGRAM**

