



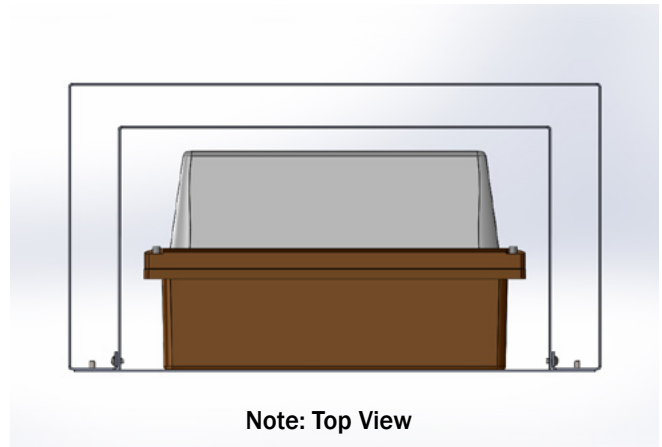
INSTALLATION & MAINTENANCE INSTRUCTIONS Masters LED

Wall Mounted Luminaire

P.N. 76118

WARNING: DISCONNECT POWER PRIOR TO INSTALLATION OR SERVICING OF FIXTURE

NOTE: THIS PRODUCT MUST BE INSTALLED IN ACCORDANCE WITH THE APPLICABLE LOCAL & NATIONAL ELECTRICAL CODES BY A PERSON FAMILIAR WITH THE CONSTRUCTION AND FAMILIAR WITH THE OPERATION OF THE PRODUCT AND HAZARDS INVOLVED.



Note: Top View

INSTALLATION

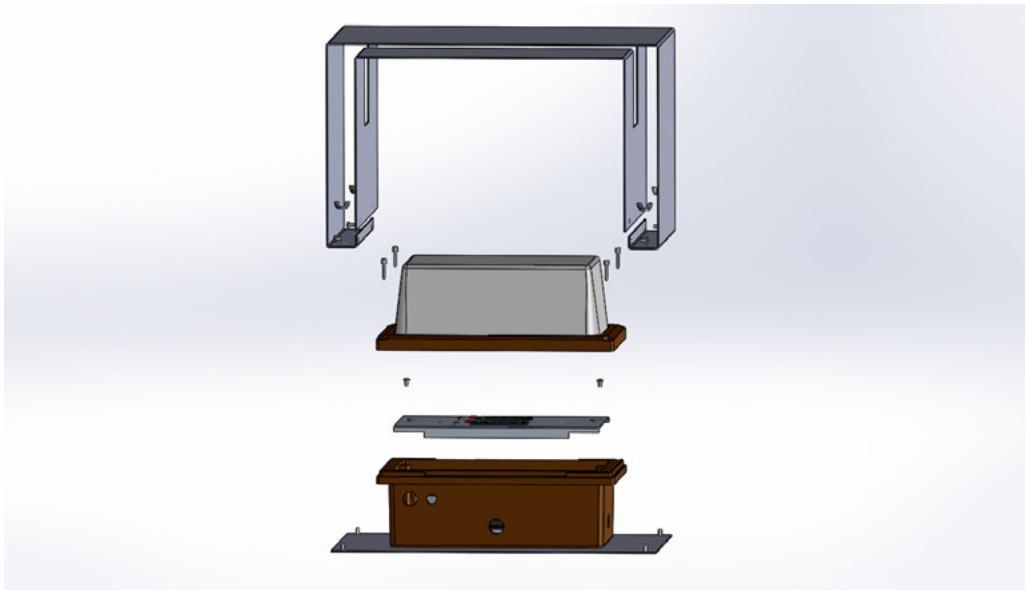
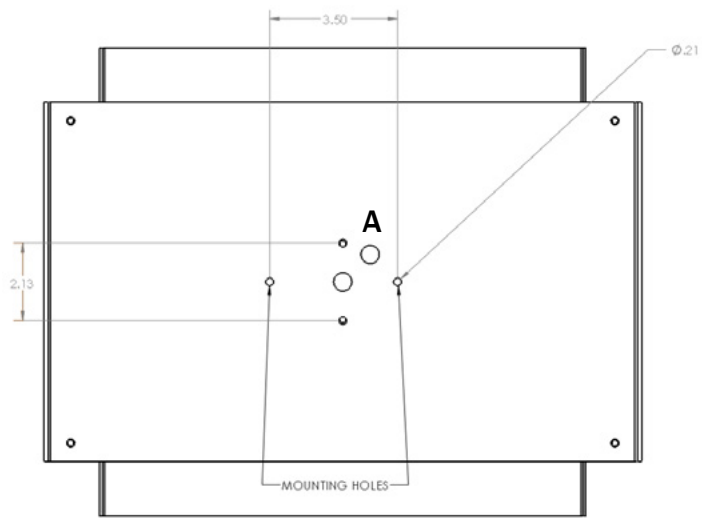
1. Make sure the power to the area working in is shut off to avoid serious injury from electrical shock.
2. Remove any excess packing from the fixture.
3. The Masters LED is designed to be mounted directly to a surface using (2) anchors. The mounting locations correspond to holes in the white mount pan shown in position (A) at right.
4. Remove fascia assembly by removing (4) wing nuts, and remove the (4) socket cap screws to separate lens assembly from mount pan.
5. The luminaire housing is fastened to the mount pan at position (A). Separate parts and use the mount pan to mark wall. Mount the housing and pan firmly by drilling into the wall at location (A). Be sure to pull the supply leads into the housing before the fixture is fastened to the mounting surface.
6. Connect the fixture leads to the supply leads. TLI stipulates the Black as Line; White as Common; Bare/Green as Ground. Connections should be made in the compartment opposite the lamp compartment. Make sure no wires rest against the reflector.
7. Any holes drilled in the back of the housing must be caulked to seal it against the mount pan. Caulk with a suitable waterproof sealant across the top of the fixture to the wall plate and between the wall plate and wall and at least 2" down the sides.
8. The outer fascia bands mount to the pan using standard wing nuts . Tighten the nuts securely.
9. Outdoor wall fixtures must be caulked with silicone sealant across the top, and at least 2" down each side of the fixture to properly seal it to the mounting surface. A small space should be open at the bottom for excess moisture runoff.
10. Fill rough or uneven surfaces, mortar joints, and any exterior holes with silicone sealant.

MAINTENANCE

The lens should be cleaned once every 6 months. Repeat the above procedures in reverse to remove the lens. It must be washed in a mild soap solution. DO NOT use cleansers containing bleach. Re-assemble the fixture.

ATTENTION

Avoid moving any exposed wires. If any wires are accidentally disconnected, call a professional to repair.



WIRING DIAGRAM

