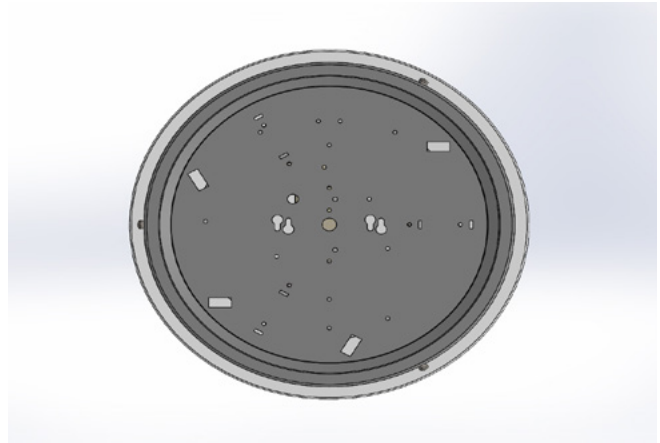
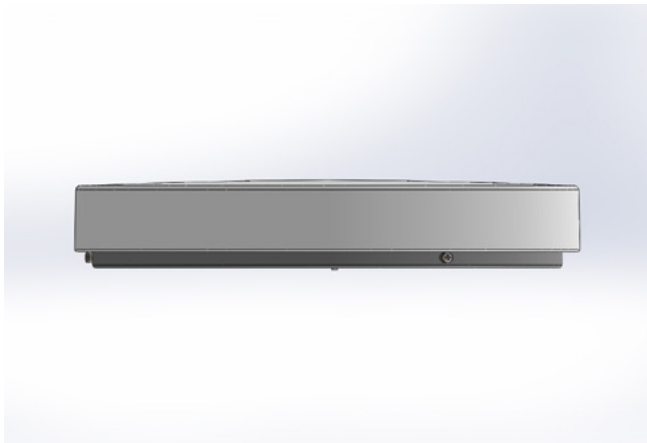




INSTALLATION & MAINTENANCE INSTRUCTIONS
Eagle LED, Faultless LED, Horizons LED, Nike C LED
ARCHITECTURAL VANITY P.N. 76099

NOTE: THIS PRODUCT MUST BE INSTALLED IN ACCORDANCE WITH THE APPLICABLE LOCAL & NATIONAL ELECTRICAL CODES BY A PERSON FAMILIAR WITH THE CONSTRUCTION AND FAMILIAR WITH THE OPERATION OF THE PRODUCT AND HAZARDS INVOLVED.



INSTALLATION

1. Remove any excess packing from the fixture.
2. If the lens is attached, loosen the screws (A) that hold the lens in place, and remove the lens. It is not necessary to completely remove the screws.
3. Connect the fixture leads to the supply leads inside junction box (not supplied). TLI stipulates the Black as Line; White as Common; Bare/Green as Ground.
4. Insert 2 screws (provided) into the J-Box. Place the Mount Pan over the 2 screws via the Keyslots (B). Rotate the mount pan to secure it in the Keyslots, then tighten the screws to completely secure the pan to the J-Box / Mounting Surface.
5. Restore power to fixture to ensure proper installation.
6. Install the lens by holding it in place while tightening the screws (A). Leave some space for the lens to move. The lens will expand slightly during operation due to the heat from the lamp(s) and ballast.

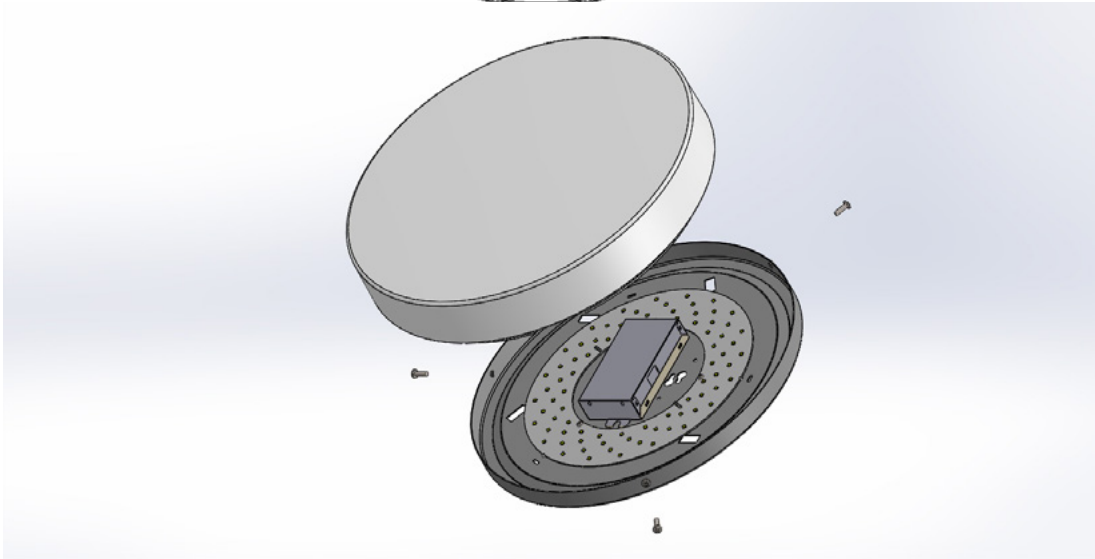
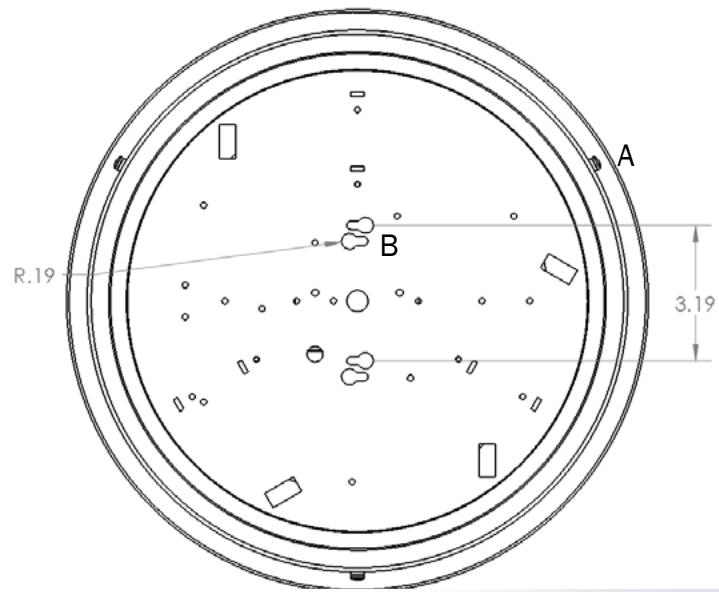
MAINTENANCE

DO NOT use cleansers containing bleach.

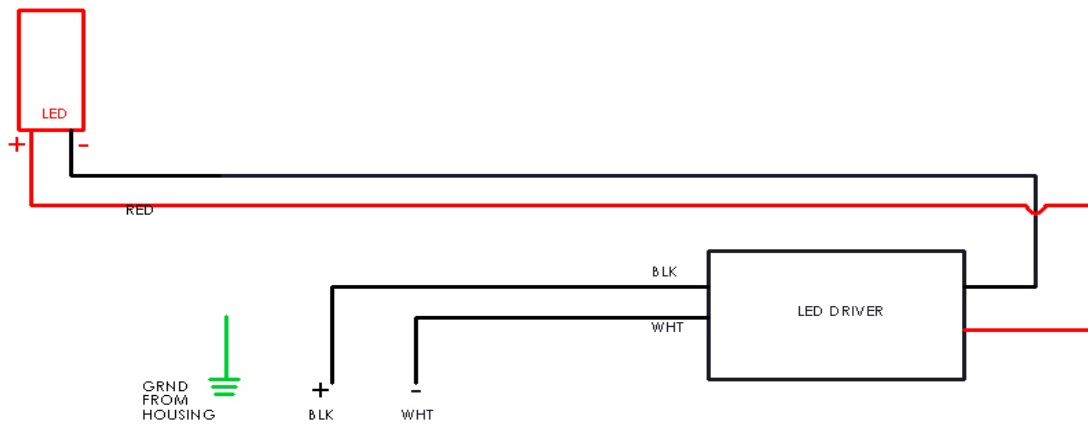
The metal portion of the fixture can be wiped clean as needed using a mild soap solution.

ATTENTION

Avoid moving any exposed wires. If any wires are accidentally disconnected, call a professional to repair.



WIRING DIAGRAM



ONE DRIVER ONE MODULE WIRING DIAGRAM

0-10V:

Manufacturer	Product	Part Number
Lutron	DIVA 0-10V control, Single Pole, Preset	DVTV
	DIVA 0-10V control / 3 way, Single Pole, Preset	DVSTV
	DIVA 0-10V control, Single Pole, Preset	DVSCTV
	DIVA 0-10V control / 3 way, Single Pole, Preset	DVSCSTV
Leviton	Dimmer for 0-10V supplies, no LED indicator	IP710-LFZ
	Dimmer for Mark 7 0-10V, with LED indicator	IP710-DLX